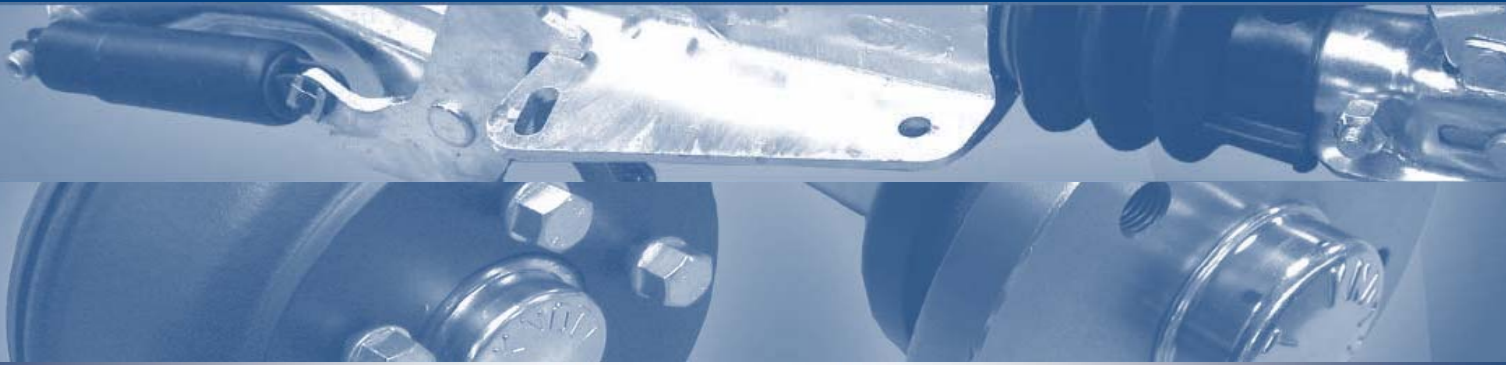


TECHNOLOGY • PRODUCTS • SERVICE...

KNOTT-AVONRIDE
LIMITED 



Trailer Components & Accessories

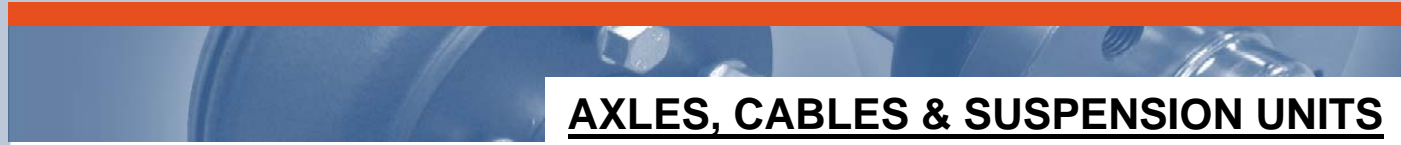


...THE COMPLETE PACKAGE!



COUPLINGS

| | | | |
|-----------------------------|---|------------------------------|---|
| Coupling Assemblies | 1 | Coupling Spares KF7—KFGL35 | 4 |
| Coupling Heads & Eyes | 2 | Coupling Spares KRV7,5—KRV35 | 5 |
| Coupling Spares KFG13—KFG35 | 3 | Coupling Components | 6 |



AXLES, CABLES & SUSPENSION UNITS

| | | | |
|--------------------------------------|-------|---------------------------------------|-------|
| Axle Assemblies Unbraked 750kg | 7 | Brake Compensator | 15 |
| Axle Assemblies Braked 1000kg—1500kg | 8-9 | Spreadlever Auto Reverse Brake | 16 |
| Axle Assemblies Braked 1800kg | 10-11 | Spreadlever Automatic Adjusting Brake | 17 |
| Suspension Units | 12 | Hubs | 18-19 |
| Brake Cables | 13-14 | | |



JOCKEYS, PROPS & BRACKETS

| | | | |
|---------------|----|-----------------------|----|
| Jockey Wheels | 20 | Propstands & Brackets | 21 |
|---------------|----|-----------------------|----|



ANCILLARIES

| | | | |
|-------------|-------|----------------------|----|
| Mudguards | 22-23 | EU Approved Drawbars | 26 |
| Ancillaries | 24 | Datatag | 27 |
| Winches | 25 | Lamps & Lighting | 28 |



TECHNICAL

| | | | |
|---------------------------------|----|--------------------------------|----|
| Electrical Wiring Connections | 29 | Trailer Weights & Dimensions | 33 |
| Hub Fittings | 30 | EC Whole Vehicle Type Approval | 34 |
| Tyre Speed Symbols & Load Index | 31 | Useful Contacts & Publications | 35 |
| Torque Settings & Lubrication | 32 | | |

TECHNOLOGY • PRODUCTS • SERVICE...



KNOTT-AVONRIDE LIMITED

JOCKEY WHEELS, PROPSTANDS & BRACKETS

ANCILLARIES

...THE COMPLETE PACKAGE!

Company Profile



Knott-Avonride Ltd was established in the UK in 1983, for the manufacture and supply of brakes, couplings, brake cables and jockey wheels for trailers, caravans and off-road vehicles. Since then we have expanded our range of products and services to suit individual customer requirements.

We take pride in being reliable and friendly in day-to-day dealings; we know that it is important to develop a good working relationship with our customers in order to discuss and develop their requirements.

The company is ISO 9001:2008 certified and committed to the introduction of new technology and techniques that will enable us to be more efficient, develop the product range, and address legislative requirements in Europe and Worldwide.



Quality Policy

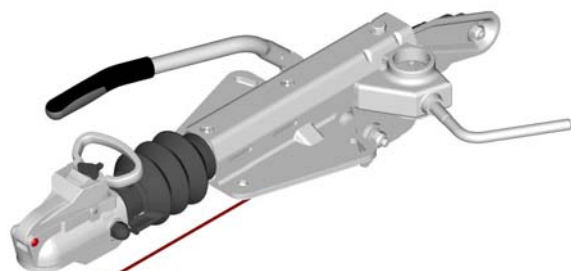
It is the policy of Knott-Avonride Ltd to provide its customers with high quality products, complying with regulations, on time delivery, and ever improving levels of satisfaction. Knott-Avonride Ltd is committed to comply with requirements of its QMS through the continual improvement of its products, services, and the company itself, by process control, employee involvement and management commitment.

If you have any thoughts, recommendations or suggestions as to how we can improve our products and services, please do not hesitate to contact us.





Pressed Steel Delta



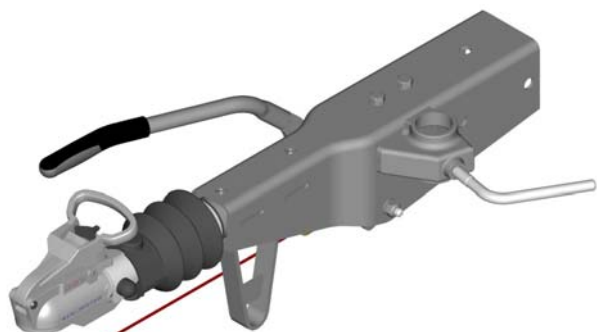
| Type | Capacity (kg) | Part Number* | Centres (mm) |
|--------|---------------|-----------------|--------------|
| KF7,5 | 375 - 750 | KPB7AOD | 110/120 |
| KF13 | 750 - 1300 | KPB13AOD | 110/120 |
| KF17 | 1100 - 1700 | KPB17AOD | 110/120 |
| KF20 | 1100 - 2000 | KPB20AOD | 110/120 |
| KF27 | 1400 - 2700 | KPB27AO110/120D | 110/120 |
| KFGL35 | 2700 - 3500 | 204509.002 | 120/140 |

Cast Delta



| Type | Capacity (kg) | Part Number* | Centres (mm) |
|-------|---------------|--------------|--------------|
| KFG13 | 750 - 1300 | KCB13AOD | 100 |
| KFG13 | 750 - 1300 | KCB13AO120D | 120 |
| KFG20 | 1100 - 2000 | KCB20AOD | 100 |
| KFG20 | 1100 - 2000 | KCB20AO120D | 120 |
| KFG27 | 1400 - 2700 | KCB27AOD | 100 |
| KFG27 | 1400 - 2700 | KCB27AO120D | 120 |
| KFG30 | 1600 - 3000 | KCB30AOD | 100 |
| KFG30 | 1600 - 3000 | KCB30AO120D | 120 |
| KFG35 | 2700 - 3500 | KCB35AOD | 120 |

Pressed Steel Square Tube



| Type | Capacity (kg) | Part Number* | Size |
|--------|---------------|--------------|-------|
| KRV7,5 | 375 - 750 | KSB7AO6D | □ 60 |
| KRV7,5 | 375 - 750 | KSB7AO7D | □ 70 |
| KRV13 | 750 - 1300 | KSB13AO6D | □ 60 |
| KRV13 | 750 - 1300 | KSB13AO7D | □ 70 |
| KRV17 | 1100 - 1700 | KSB17AO7D | □ 70 |
| KRV20 | 1100 - 2000 | KSB20AO8D | □ 80 |
| KRV20 | 1100 - 2000 | KSB20AO10D | □ 100 |
| KRV30 | 1600 - 3000 | KSB30AO8D | □ 80 |
| KRV30 | 1600 - 3000 | KSB30AO10D | □ 100 |
| KRV35 | 2700 - 3500 | 501084.007 | □ 120 |

* Fitted with Avonride Cast Locking Head



All of these couplings can alternatively be supplied & fitted with:-

- ✓ Knott 50mm Pressed Steel Head (to 2T)
- ✓ Knott 50mm Head (Cast Lockable to 3,5T)
- ✓ Albe Berndes 50mm Head (Cast to 3,5T)
- ✓ 30mm UK BS EYE
- ✓ 40mm UK BS EYE
- ✓ 50.8mm UK BS EYE
- ✓ 76mm NATO EYE

And to special order for export trailers Ø68 French & Ø40 DIN Eyes.



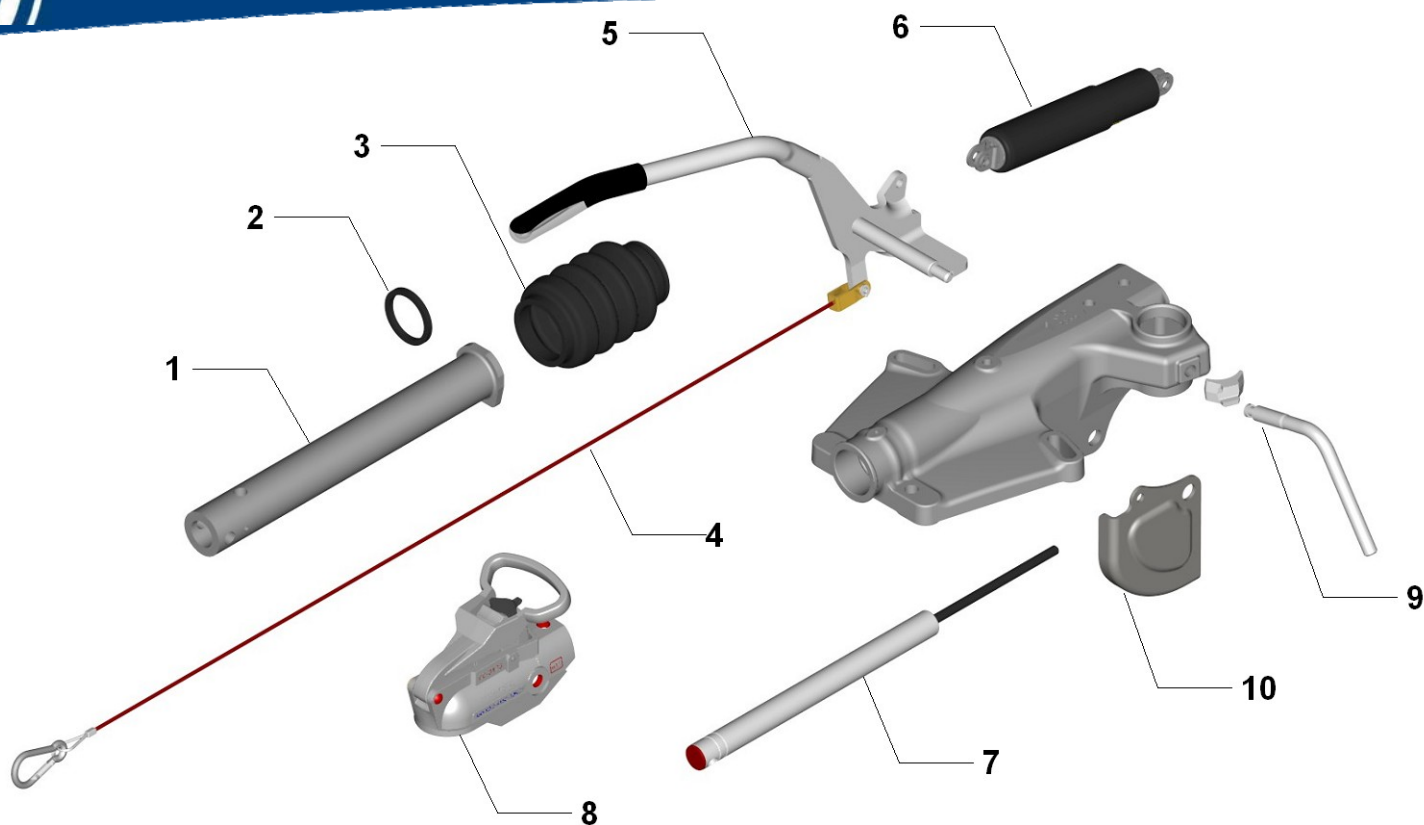


| Type | Fitting | Part Number | Applications |
|--|-------------------------|-------------|------------------------------------|
|  | Ø 45, M12/M12 | 575003 | KF7,5 - 20, KFG13 - 20 & KRV7 - 20 |
| | Ø 50, M12/M12 | 575003 | KF27A & KFG27 |
| | Ø 50, M12/M14 | 575005 | KFG30 & KRV30 |
| | Ø 50, M14/M14 | 575008 | KF27B, KFG30 & KRV30 |
|  | Ø 60, M14/M14 | 575004 | KFG35, KFGL35 & KRV35 |
| | □ 50 2xM12 Vertical | KQ7KVL | 750kg Unbraked |
| | □ 60 2xM12 Vertical | KQ7LVL | 750kg Unbraked |
| | □ 50 4xM12 Vert/Horiz | KQ14AVN2L | 1400kg Unbraked |
|  | □ 60 4 x M12 Vert/Horiz | KQ14BHN2L | 1400kg Unbraked |
| | Ø 45 2xM12 Cross Holes | 575001 | KF7,5 - 13, KRV7 - 13 & KFG13 |
|  | Ø 45 2xM12 Cross Holes | 575002 | KF13 - 20, KRV20 & KFG20 |
| | Ø 50, M12/M12 | 575023 | KF27A & KFG27 |
| | Ø 50, M14/M14 | 575021 | KF27B , KFG30 & KRV30 |
|  | Ø 60, M14/M14 | 575020 | KFG35, KFGL35 & KRV35 |
| | Ø 45, M12/M12 | 575030.001 | KF7,5 - 20, KFG13 - 20 & KRV7 - 20 |
| | Ø 50, M12/M12 | 575030.004 | KF27A & KFG27 |
| | Ø 50, M12/M14 | 575030.002 | KFG30 & KRV30 |
| | Ø 50, M14/M14 | 575030.005 | KF27B, KFG30 & KRV30 |
|  | Ø 60, M14/M14 | 575030.003 | KFG35, KFGL35 & KRV35 |
| | Ø 45, M12/M12 | 575040.001 | KF7,5 - 20, KFG13 - 20 & KRV7 - 20 |
| | Ø 50, M12/M12 | 575040.004 | KF27A & KFG27 |
| | Ø 50, M12/M14 | 575040.002 | KFG30 & KRV30 |
|  | Ø 50, M14/M14 | 575040.005 | KF27B, KFG30 & KRV30 |
| | Ø 60, M14/M14 | 575040.003 | KFG35, KFGL35 & KRV35 |
| | Ø 45, M12/M12 | 575050.001 | KF7,5 - 20, KFG13 - 20 & KRV7 - 20 |
| | Ø 50, M12/M12 | 575050.004 | KF27A & KFG27 |
|  | Ø 50, M12/M14 | 575050.002 | KFG30 & KRV30 |
| | Ø 50, M14/M14 | 575050.005 | KF27B, KFG30 & KRV30 |
| | Ø 60, M14/M14 | 575050.003 | KFG35, KFGL35 & KRV35 |
| | Ø 45, M12/M12 | 506005 | KF7,5 - 20, KFG13 - 20 & KRV7 - 20 |
|  | Ø 50, M12/M12 | 506006 | KF27A & KFG27 |
| | Ø 50, M12/M14 | 506007 | KFG30 & KRV30 |
| | Ø 50, M14/M14 | 506014 | KF27B, KFG30 & KRV30 |
| | Ø 60, M14/M14 | 506008 | KFG35, KFGL35 & KRV35 |



- ✓ 68mm "French" & 40mm DIN eyes available.
- ✓ Kits comprise of Head or Eye, Bolts, Nuts, Shaped Washer(s) & Black Cap(s). See also "Bellows" on separate sheet.

- ✓ □ For unbraked drawbars, unbraked trailers O₁. Classification limited to 750kg gross mass.
- ✓ Secondary coupling is available for use with unbraked drawbars - Part No 577007.

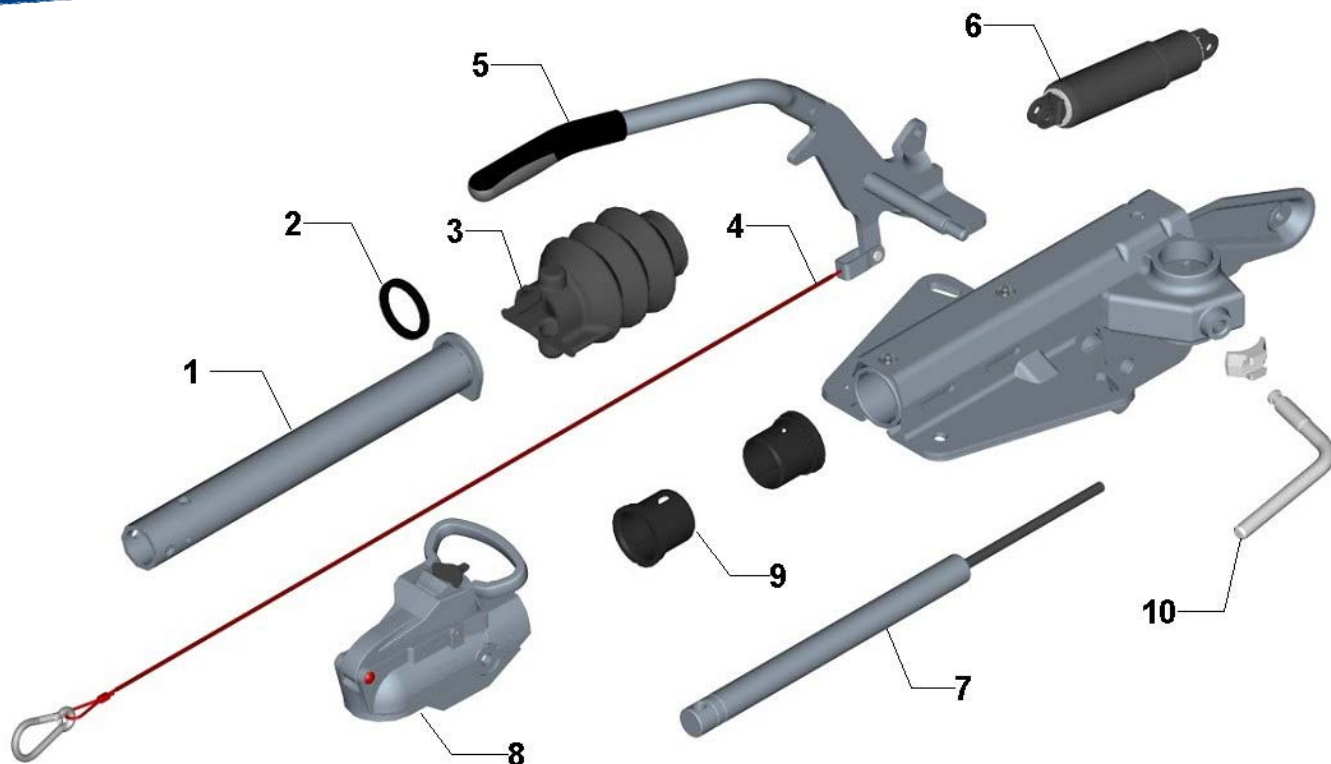


| Description | To Suit | Part Number |
|----------------------|-------------------|-------------------------------------|
| ① Drawtube | KFG13-20 | 9810309402 |
| | KFG27-30 (Ø14) | 202041.002 |
| | KFG27 (Ø12) | 9810389402 |
| | KFG30 (Ø12 & Ø14) | 9885759302 |
| | KFG35 | 9870004402 (cross bolts) |
| | KFG35 | 203146.002 (2x horizontal bolts) |
| ② Stopping | KFG13 - KFG30* | 69001494 |
| | KFG13 - KFG20** | 206596.001 Ø45 |
| | KFG27 - KFG30** | 206596.002 Ø50 |
| | KFG35* | 69004394 |
| | KFG35** | 206596.003 |
| ③ Bellows | KFG13 - KFG30 | 577002 (eye) |
| | KFG13 - KFG30 | 577004 (head) |
| | KFG35 | 577005 (head) |
| | KFG35 | 577006 (eye) |
| ④ Breakaway Cable | | 577001 ** |
| | | 577012 * |
| ⑤ Handbrake Assembly | | 6J1309.001 * |
| | | 6J1389.001 ** |

| Description | To Suit | Part Number |
|--------------------------|-------------|-----------------------------|
| ⑥ Handbrake Energy Store | KFG13-20 | 202453.001 ** |
| | KFG13-20 | 98702594 * |
| | KFG27-30 | 202453.001 ** |
| | KFG27-30 | 98702694 * |
| | KFG35 | 202453.001 ** |
| | KFG35 | 98702694 * |
| ⑦ Damper | KFG13 | 576000 |
| | KFG20 | 576001 |
| | KFG27 (Ø12) | 576002 |
| | KFG27 (Ø14) | 576005 |
| | KFG30 (Ø12) | 576006 * |
| ⑧ Head / Eye | KFG30 (Ø14) | 576007 ** |
| | KFG35 | 576003 |
| | See Page 2 | |
| ⑨ Jockey Handle & Pad | | 577000 (short 100x130mm) |
| | | 577011 (long 150x130mm) |
| ⑩ Skid | | 206593.001 |

* Old

** Current (as shown)

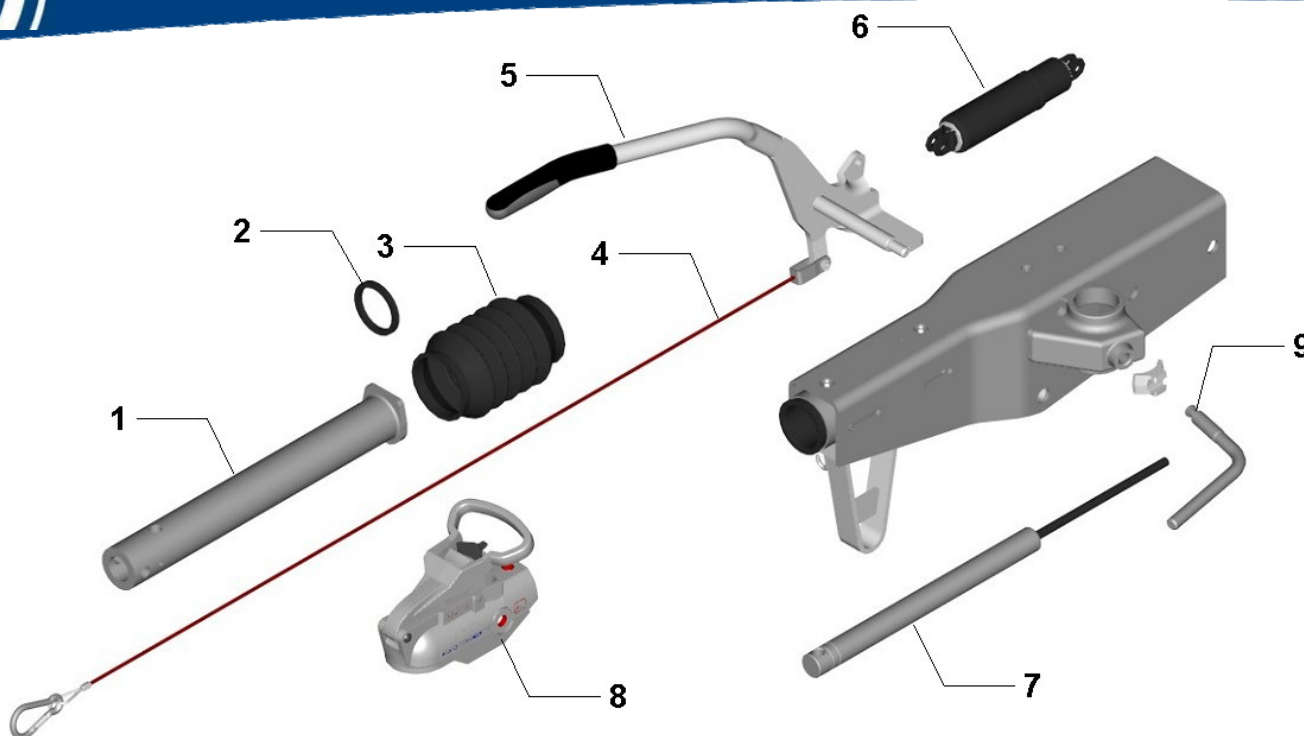


| Description | To Suit | Part Number |
|----------------------|---------------------|----------------|
| ① Drawtube | KF7-20 | 9810309402 |
| | KF27 (Ø12) | 9810389402 |
| | KF27 (Ø14) | 202041.002 |
| | KFGL35 | 203146.002 |
| ② Stopping | KF7,5 – 27* | 69001494 |
| | KF7,5 - 20** | 206596.001 Ø45 |
| | KFGL35* | 69004394 |
| ③ Bellows | KF7,5 - 27 | 577002 |
| | KFGL35 | 577006 |
| ④ Breakaway Cable | KF7,5 – 27 & KFGL35 | 577001 ** |
| | | 577012 * |
| ⑤ Handbrake Assembly | KF7,5 - 20 | 6J1309.001 * |
| | KF7,5 - 20 | 6J1349.001 ** |
| | KF27 | 6J1309.001 * |
| | KF27 | 6J1595.003 ** |
| | KFGL35 | 204098.001 |

| Description | To Suit | Part Number |
|----------------------------------|----------------|--------------------------|
| ⑥ Handbrake Energy Store | KF7-20 | 201856.001 ** |
| | KF7-20 | 98702594 * |
| | KF27 | 201856.001 ** |
| | KF27 | 98702694 * |
| | KFGL35 | 990029.02 |
| ⑦ Damper | KF7,5 | 576004 |
| | KF13 | 576000 |
| | KF20 | 576001 |
| | KF27 (Ø12) | 576002 * |
| ⑧ Head / Eye | KF27 (Ø14) | 576005 ** |
| | KFGL35 | 576003 |
| | See Page 2 | |
| ⑨ Clip in Bush (Started Mid '09) | KF7-20 (Ø45mm) | 577009 |
| | KF27 (Ø50mm) | 577010 |
| ⑩ Jockey Handle & Pad | | 577000 (short 100x130mm) |
| | | 577011 (long 150x130mm) |
| | | 577015 |
| | | (XL 200x130mm) |

* Old

** Current (as shown)



| Description | To Suit | Part Number |
|--------------------------|---|--|
| ① Drawtube | KRV7,5 - 20 KRV30 (Ø12 & Ø14) KRV30 (2 x Ø14) KRV35 | 9810309402 9885759302 202041.002 203146.002 |
| ② Stopping | KRV7,5 - 30* KRV7,5 - 20** KRV30** KRV35* KRV35** | 69001494 206596.001 Ø45 206596.002 Ø50 69004394 206596.003 Ø60 |
| ③ Bellows | KRV7,5 - 30 KRV35 | 577002 577006 |
| ④ Breakaway Cable | KRV7,5 - 30 | 577001 ** 577012 * |
| ⑤ Handbrake Assembly | KRV7,5 - 20 (60, 70 & 80 Sq) KRV20 - 30 (100 Sq) KRV35 | 6J1595.001 ** 6J1339.001 * 6J1595.002 ** 6J1339.001 * 204149.001 |
| ⑥ Handbrake Energy Store | KRV7 - 20 KRV7 - 20 KRV30 KRV30 KRV35 | 201856.001 ** 98702594 * 202453.001 ** 98702694 * 202453.001 |
| ⑦ Damper | KRV7,5 KRV13 KRV20 KRV30 (Ø12) KRV30 (Ø14) KRV35 | 576004 576000 576001 576006 * 576007 ** 576003 |
| ⑧ Head / Eye | See Page 2 | |
| ⑨ Jockey Handle & Pad | All | 577000 (short 100x130mm) 577011 (long 150x130mm) 577015 (XL 200x130mm) |

* Old

** Current (as shown)

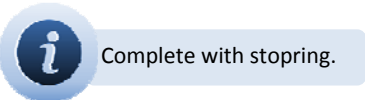


Overrun Dampers



| Range (kg) | Part Number (Marking) | Applications |
|-------------|-----------------------|-----------------------------|
| 375 – 750 | 576004 (87000309) | KRV7,5, KF7,5 |
| 750 – 1400 | 576000 (87000709) | KRV13, KFG13 & KF13 |
| 1100 – 2000 | 576001 (87001109) | KRV20, KFG20 & KF20 |
| 1400 - 2700 | 576002 (87003109) | KFG27 & KF27A with Ø12 Hole |
| 1400 - 2700 | 576005 (8700310914) | KF27B with Ø14 Hole |
| 1600 - 3000 | 576006 (87003909) | KRV30 & KFG30 with Ø12 Hole |
| 1600 - 3000 | 576007 (87001409-K) | KRV30 & KFG30 with Ø14 Hole |
| 2700 - 3500 | 576003 (87003609) | KFG35 |

Drawtubes



Complete with stopring.

| Fitting | Part Number | Applications |
|-------------|-------------|---|
| Ø45 M12/M12 | 9810309402 | KF7,5-KF20, KRV7,5-KRV20, KFG13 & KFG20 |
| Ø50 M12/M12 | 9810389402 | KF27A & KFG27 |
| Ø50 M12/M14 | 9885759302 | KRV30 & KFG30 |
| Ø50 M14/M14 | 202041.002 | KF27B & KFG30 |
| Ø60 M14/M14 | 9870004402 | KFG35 |
| Ø60 M14/M14 | 203146.002 | KFG35 Horizontal Holes |

Bellows



| Part Number | Applications |
|-------------|------------------------------|
| 577002 | KF7,5 - KF27 & KRV13 - KRV30 |
| 577003 | KF7,5 - KF27 & KRV13 - KRV30 |
| 577004 | KFG13 - KFG30 |
| 577005 | KFG35 Heads Only |
| 577006 | KFG35 Eyes Only |

Handbrake Energy Store

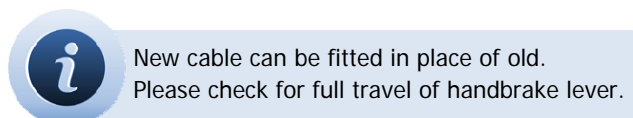


| To Suit Type | Part Number | Capacity (kg) |
|--|-------------|----------------------------|
| Spring Pack Energy Store (Metal Casing) | 98702594 | 750 - 2000 |
| Oil Damped Energy Store (Black Plastic Casing) | 98702694 | 2700 - 3500 |
| Oil Damped Energy Store (Black Plastic Casing) | 201856.001 | KF7,5-KF27, & KRV13-KRV20 |
| Oil Damped Energy Store (Black Plastic Casing) | 202453.001 | KRV30-35, KFGL35 & All KFG |

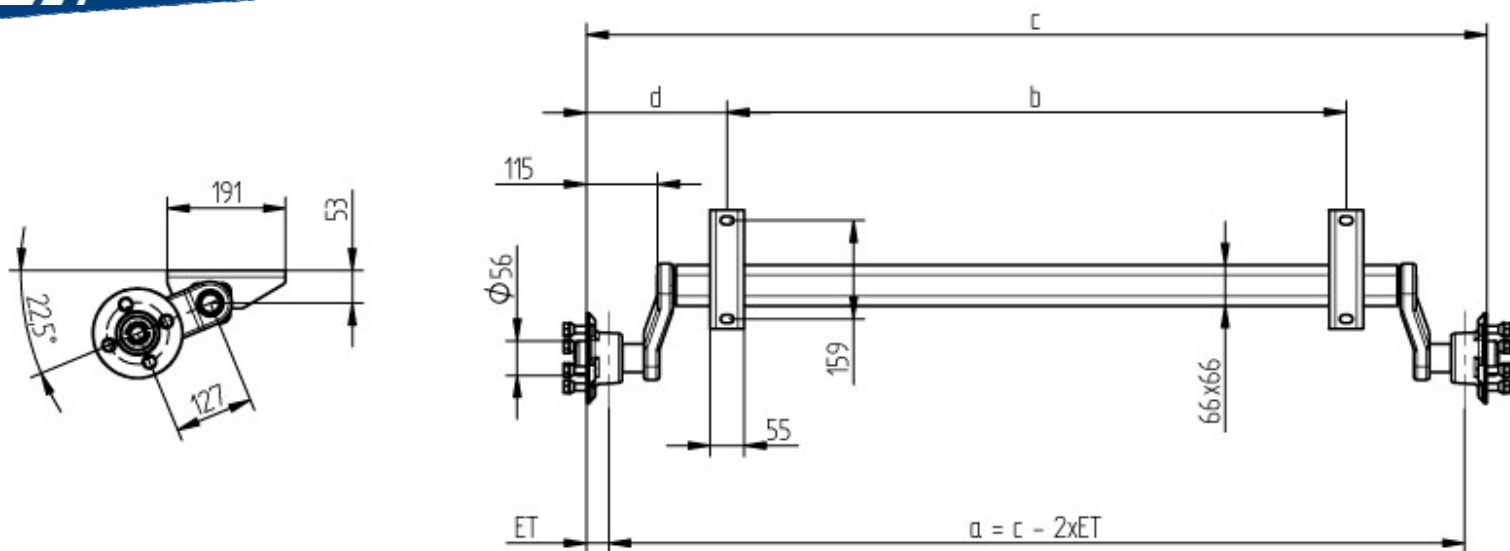
Breakaway Cable



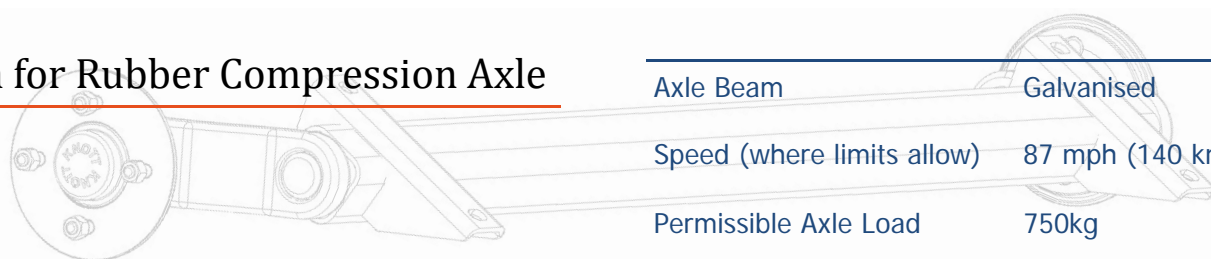
| To Suit Type | Part Number |
|---------------------------------|-------------|
| Current Oil Damped Energy Store | 577001 |
| Old Style Spring Pack | 577012 |



New cable can be fitted in place of old. Please check for full travel of handbrake lever.



Data for Rubber Compression Axle



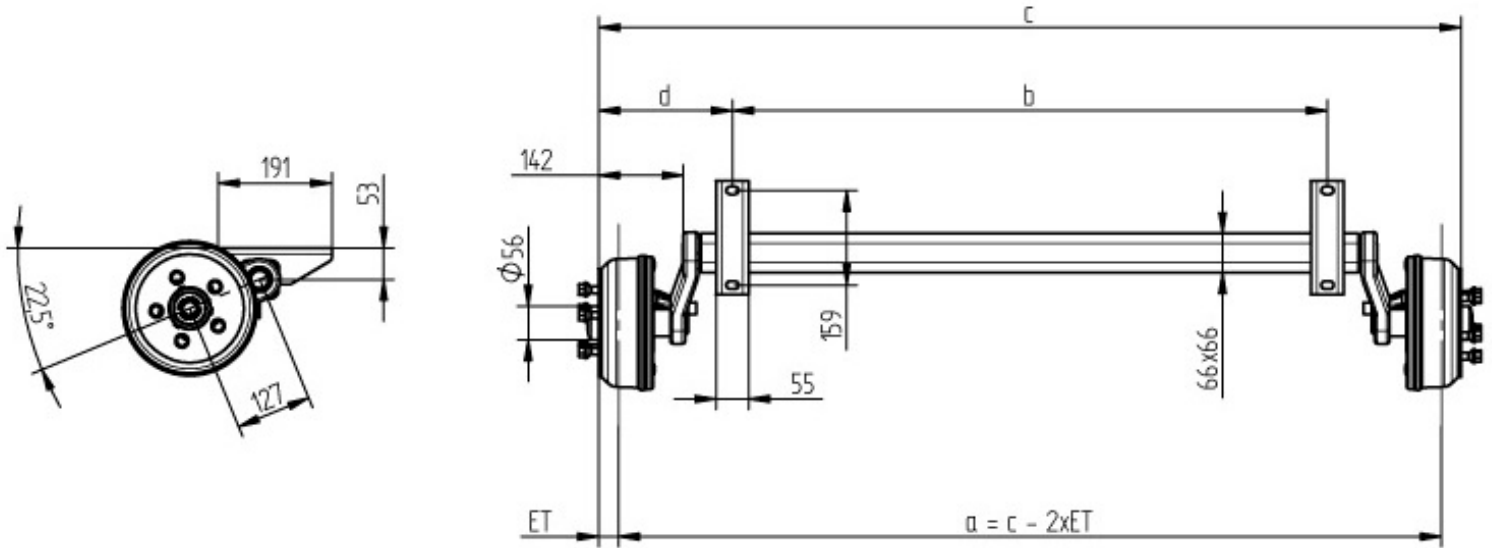
| | |
|----------------------------|-------------------|
| Axle Beam | Galvanised |
| Speed (where limits allow) | 87 mph (140 kmph) |
| Permissible Axle Load | 750kg |

| Type | Capacity (kg) | b | c | d ① | ET ② | PCD ③ | Weight (kg) | Part Number |
|-------|---------------|------|------|-----|---------|------------------|-------------|--------------------------|
| QB07Z | 750 | 1000 | 1450 | 225 | 25 – 35 | 4/100 4/101.6 | 31 | C63320.001 C63321.001 |
| | | 1100 | 1550 | 225 | 25 – 35 | 4/100 4/101.6 | 32 | C63320.002 C63321.002 |
| | | 1200 | 1650 | 225 | 25 – 35 | 4/100 4/101.6 | 32 | C63320.003 C63321.003 |
| | | 1300 | 1750 | 225 | 25 – 35 | 4/100 4/101.6 | 33 | C63320.004 C63321.004 |
| | | 1400 | 1850 | 225 | 25 – 35 | 4/100 4/101.6 | 34 | C63320.005 C63321.005 |
| | | 1500 | 1950 | 225 | 25 – 35 | 4/100 4/101.6 | 35 | C63320.006 C63321.006 |

① "d" minimum = 175mm

② Offset zero also available

③ Other fixing patterns available



Data for Rubber Compression Axle

Axle Beam Galvanised
 Speed (where limits allow) 87 mph (140 kmph)

Permissible Axle Load 1000kg—1500kg
 Brake Type 20-2425/1
 Type of Brake 200x50

| Type | Capacity (kg) | b | c | d ① | ET ② | PCD ③ | Weight (kg) | Part Number |
|-------|---------------|------|------|-----|---------|----------------|-------------|--------------------------|
| QB10C | 1000 | 1000 | 1450 | 225 | 25 – 35 | 4/100 5/112 | 47 | C68366.001 C68367.001 |
| | | 1100 | 1550 | 225 | 25 – 35 | 4/100 5/112 | 48 | C68366.002 C68367.002 |
| | | 1200 | 1650 | 225 | 25 – 35 | 4/100 5/112 | 49 | C68366.002 C68367.002 |
| | | 1300 | 1750 | 225 | 25 – 35 | 4/100 5/112 | 50 | C68366.003 C68367.003 |
| | | 1400 | 1850 | 225 | 25 – 35 | 4/100 5/112 | 50 | C68366.004 C68367.004 |
| | | 1500 | 1950 | 225 | 25 – 35 | 4/100 5/112 | 51 | C68366.005 C68367.005 |
| | | 1600 | 2050 | 225 | 25 – 35 | 4/100 5/112 | 52 | C68366.006 C68367.006 |
| | | 1700 | 2150 | 225 | 25 – 35 | 4/100 5/112 | 52 | C68366.007 C68367.007 |
| | | 1800 | 2250 | 225 | 25 – 35 | 4/100 5/112 | 53 | C68366.008 C68367.008 |
| | | 1900 | 2350 | 225 | 25 – 35 | 4/100 5/112 | 54 | C68366.009 C68367.009 |

① "d" minimum = 175mm

② Offset zero also available

③ Other fixing patterns available



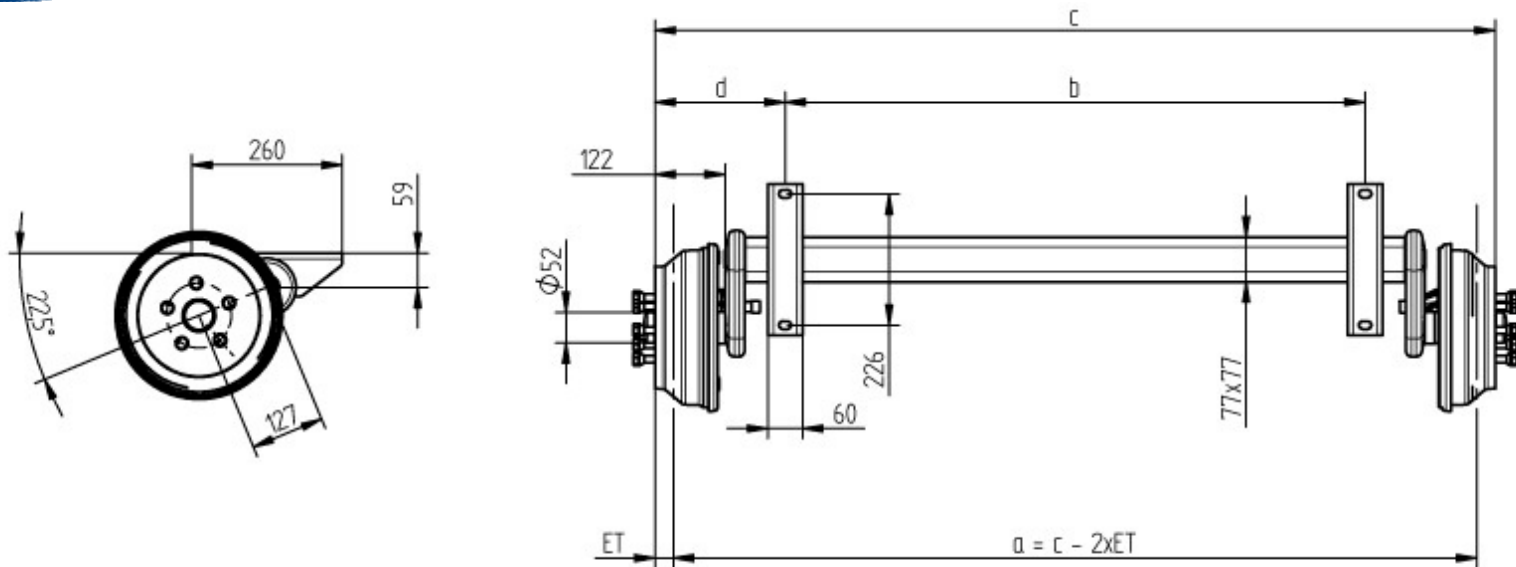
| Type | Capacity (kg) | b | c | d ① | ET ② | PCD ③ | Weight (kg) | Part Number |
|-------|---------------|------|------|-----|---------|----------------|-------------|--------------------------|
| QB13C | 1350 | 1000 | 1450 | 225 | 25 – 35 | 4/100 5/112 | 52 | C68321.001 C68348.002 |
| | | 1100 | 1550 | 225 | 25 – 35 | 4/100 5/112 | 53 | C68321.003 C68348.004 |
| | | 1200 | 1650 | 225 | 25 – 35 | 4/100 5/112 | 54 | C68321.005 C68348.006 |
| | | 1300 | 1750 | 225 | 25 – 35 | 4/100 5/112 | 55 | C68321.007 C68348.008 |
| | | 1400 | 1850 | 225 | 25 – 35 | 4/100 5/112 | 56 | C68321.009 C68348.010 |
| | | 1500 | 1950 | 225 | 25 – 35 | 4/100 5/112 | 57 | C68321.011 C68348.012 |
| | | 1600 | 2050 | 225 | 25 – 35 | 4/100 5/112 | 58 | C68321.013 C68348.014 |
| | | 1700 | 2150 | 225 | 25 – 35 | 4/100 5/112 | 59 | C68321.015 C68348.016 |
| | | 1800 | 2250 | 225 | 25 – 35 | 4/100 5/112 | 60 | C68321.017 C68348.018 |
| | | 1900 | 2350 | 225 | 25 – 35 | 4/100 5/112 | 61 | C68321.019 C68348.020 |

| Type | Capacity (kg) | b | c | d ① | ET ② | PCD ③ | Weight (kg) | Part Number |
|-------|---------------|------|------|-----|---------|----------------|-------------|--------------------------|
| QB15C | 1500 | 1000 | 1450 | 225 | 25 – 35 | 4/100 5/112 | 55 | C68321.002 C68348.003 |
| | | 1100 | 1550 | 225 | 25 – 35 | 4/100 5/112 | 56 | C68321.004 C68348.005 |
| | | 1200 | 1650 | 225 | 25 – 35 | 4/100 5/112 | 57 | C68321.006 C68348.007 |
| | | 1300 | 1750 | 225 | 25 – 35 | 4/100 5/112 | 58 | C68321.008 C68348.009 |
| | | 1400 | 1850 | 225 | 25 – 35 | 4/100 5/112 | 59 | C68321.010 C68348.011 |
| | | 1500 | 1950 | 225 | 25 – 35 | 4/100 5/112 | 60 | C68321.012 C68348.013 |
| | | 1600 | 2050 | 225 | 25 – 35 | 4/100 5/112 | 61 | C68321.014 C68348.015 |
| | | 1700 | 2150 | 225 | 25 – 35 | 4/100 5/112 | 62 | C68321.016 C68348.017 |
| | | 1800 | 2250 | 225 | 25 – 35 | 4/100 5/112 | 63 | C68321.018 C68348.019 |
| | | 1900 | 2350 | 225 | 25 – 35 | 4/100 5/112 | 64 | C68321.020 C68348.021 |

① "d" minimum = 175mm

② Offset zero also available

③ Other fixing patterns available



Data for Rubber Compression Axle

| | | | |
|----------------------------|-------------------|---------------|---------|
| Axle Beam | Galvanised | Brake Type | 25-2025 |
| Speed (where limits allow) | 87 mph (140 kmph) | Type of Brake | 250x40 |
| Permissible Axle Load | | 1800kg | |

| Type | Capacity (kg) | b | c | d ① | ET ② | PCD ③ | Weight (kg) | Part Number |
|-------|---------------|------|------|-----|---------|----------------|-------------|--------------------------|
| QC18D | 1800 | 1000 | 1450 | 225 | 25 – 35 | 5/112 5/165 | 78 | C69310.003 C69324.001 |
| | | 1100 | 1550 | 225 | 25 – 35 | 5/112 5/165 | 79 | C69310.004 C69324.002 |
| | | 1200 | 1650 | 225 | 25 – 35 | 5/112 5/165 | 80 | C69310.005 C69324.003 |
| | | 1300 | 1750 | 225 | 25 – 35 | 5/112 5/165 | 81 | C69310.006 C69324.004 |
| | | 1400 | 1850 | 225 | 25 – 35 | 5/112 5/165 | 82 | C69310.007 C69324.005 |
| | | 1500 | 1950 | 225 | 25 – 35 | 5/112 5/165 | 83 | C69310.008 C69324.006 |
| | | 1600 | 2050 | 225 | 25 – 35 | 5/112 5/165 | 84 | C69310.009 C69324.007 |
| | | 1700 | 2150 | 225 | 25 – 35 | 5/112 5/165 | 85 | C69310.010 C69324.008 |
| | | 1800 | 2250 | 225 | 25 – 35 | 5/112 5/165 | 86 | C69310.011 C69324.009 |
| | | 1900 | 2350 | 225 | 25 – 35 | 5/112 5/165 | 87 | C69310.012 C69324.010 |

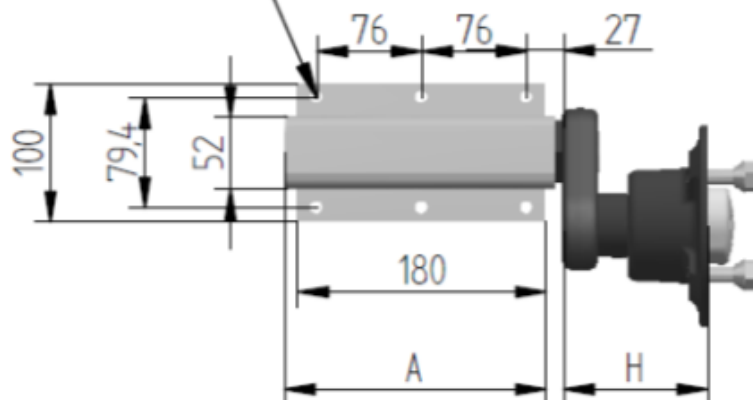
① "d" minimum = 175mm

② Offset zero also available

③ Other fixing patterns available



Holes for M8 Bolts x6



Fixing plate pattern for 350kg to 550kg Units

| Capacity (kg) | Brake Size | A (mm) | H (mm) | PCD ① | Hub Family | Part Number | Comments |
|---------------|------------|--------|--------|---------|------------|-------------|----------|
| 350 | Unbraked | 176 | 86 | 4/101.6 | N | C77101.001 | L/H |
| | | 176 | 86 | 4/101.6 | N | C77101.002 | R/H |
| | | 176 | 110 | 4/101.6 | N | C77101.003 | L/H |
| | | 176 | 110 | 4/101.6 | N | C77101.004 | R/H |
| | | 176 | 122 | 4/101.6 | N | C77101.005 | L/H |
| | | 176 | 122 | 4/101.6 | N | C77101.006 | R/H |
| 550 | Unbraked | 176 | 86 | 4/101.6 | N | C77104.001 | L/H |
| | Unbraked | 176 | 86 | 4/101.6 | N | C77104.002 | R/H |
| | Unbraked | 176 | 110 | 4/101.6 | N | C77104.003 | L/H |
| | Unbraked | 176 | 110 | 4/101.6 | N | C77104.004 | R/H |
| | Unbraked | 176 | 122 | 4/101.6 | N | C77104.005 | L/H |
| | Unbraked | 176 | 122 | 4/101.6 | N | C77104.006 | R/H |
| | 160x35 | 176 | 132 | 4/101.6 | C | C76301.001 | L/H |
| | 160x35 | 176 | 132 | 4/101.6 | C | C76301.002 | R/H |
| | 160x35 | 176 | 132 | 4/100 | C | C76300.001 | L/H |
| | 160x35 | 176 | 132 | 4/100 | C | C76300.002 | R/H |
| 750 | Unbraked | 287 | 86 | 4/101.6 | N | C77107.001 | L/H |
| | Unbraked | 287 | 86 | 4/101.6 | N | C77107.002 | R/H |
| | Unbraked | 287 | 110 | 4/101.6 | N | C77107.003 | L/H |
| | Unbraked | 287 | 110 | 4/101.6 | N | C77107.004 | R/H |
| | Unbraked | 287 | 122 | 4/101.6 | N | C77107.005 | L/H |
| | Unbraked | 287 | 122 | 4/101.6 | N | C77107.006 | R/H |
| | Unbraked | 287 | 117 | 4/100 | P | C78003.001 | L/H |
| | Unbraked | 287 | 117 | 4/100 | P | C78003.002 | R/H |
| | Unbraked | 287 | 117 | 4/139.7 | P | C78004.001 | L/H |
| | Unbraked | 287 | 117 | 4/139.7 | P | C78004.002 | R/H |
| | 160x35 | 287 | 132 | 4/101.6 | C | C76304.001 | L/H |
| | 160x35 | 287 | 132 | 4/101.6 | C | C76304.002 | R/H |
| | 160x35 | 287 | 132 | 4/100 | C | C76302.001 | L/H |
| | 160x35 | 287 | 132 | 4/100 | C | C76302.002 | R/H |

① Other fixing patterns are available



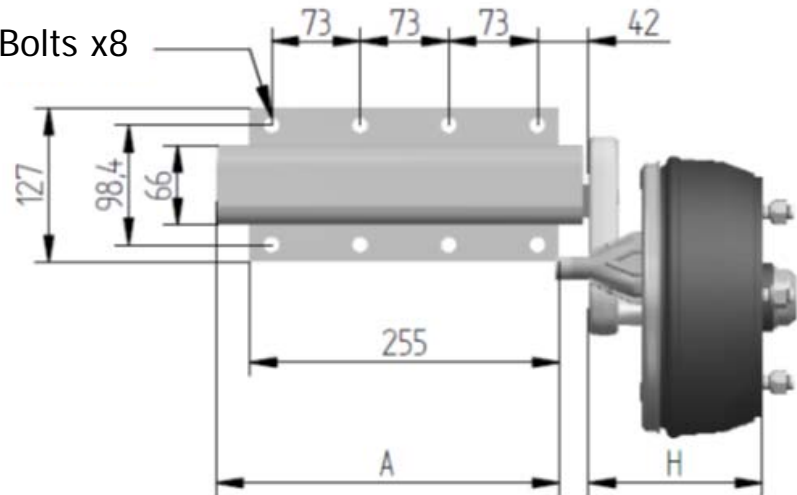
Matching fixing plates also available!

C10939—180x100mm (6 x M8 Holes)

C10940—255x127mm (8 x M12 Holes)



Holes for M12 Bolts x8



Fixing plate pattern for 750kg to 1550kg Units

| Capacity (kg) | Brake Size | A (mm) | H (mm) | PCD ① | Hub Family | Part Number | Comments |
|---------------|------------|--------|--------|---------|------------|-------------|----------|
| 1100 | 200x50 | 287 | 148 | 4/100 | A | C75306.001 | L/H |
| | | | | 4/100 | A | C75306.002 | R/H |
| | | | | 4/139.7 | A | C75308.001 | L/H |
| | | | | 4/139.7 | A | C75308.002 | R/H |
| | | | | 5/152.4 | A | C75309.001 | L/H |
| | | | | 5/152.4 | A | C75309.002 | R/H |
| 1300 | 200x50 | 350 | 148 | 4/100 | A | C75310.001 | L/H |
| | | | | 4/100 | A | C75310.002 | R/H |
| | | | | 4/139.7 | A | C75311.001 | L/H |
| | | | | 4/139.7 | A | C75311.002 | R/H |
| | | | | 5/152.4 | A | C75313.001 | L/H |
| | | | | 5/152.4 | A | C75313.002 | R/H |
| | | | | 5/165.1 | A | C75314.001 | L/H |
| | | | | 5/165.1 | A | C75314.002 | R/H |
| 1500 | 200x50 | 465 | 148 | 4/139.7 | A | C75315.001 | L/H |
| | | | | 4/139.7 | A | C75315.002 | R/H |
| | | | | 5/152.4 | A | C73616.001 | L/H |
| | | | | 5/152.4 | A | C73616.002 | R/H |
| | | | | 5/165.1 | A | C73617.001 | L/H |
| | | | | 5/165.1 | A | C73617.002 | R/H |
| 1550 | 250x40 | 465 | 138 | 4/139.7 | T | C78500.001 | L/H |
| | | | | 4/139.7 | T | C78500.002 | R/H |
| | | | | 5/140 | T | C78501.001 | L/H |
| | | | | 5/140 | T | C78501.002 | R/H |
| | | | | 5/140 | V | C78601.001 | L/H |
| | | | | 5/140 | V | C78601.002 | R/H |
| | | | | 5/165.1 | T | C78502.001 | L/H |
| | | | | 5/165.1 | T | C78502.002 | R/H |
| | | | | 5/165.1 | V | C78602.001 | L/H |
| | | | | 5/165.1 | V | C78602.002 | R/H |

① Other fixing patterns are available



Matching fixing plates also available!

C10939—180x100mm (6 x M8 Holes)

C10940—255x127mm (8 x M12 Holes)



**NEW
PRODUCT**

Auto Adjusting Brake

200x50, 250x40 & the latest addition to our range, the 250x50 brake for axles to 2500kg capacity. Spreadlever brakes with automatic adjustment!

Cast Lockable Head with Wear Indication

AV30 - 3000kg
AV35 - 3500kg (as shown)



**NEW
PRODUCT**

Rotating Telescopic Jockey Wheel

Suitable for all trailers
up to 3500kg



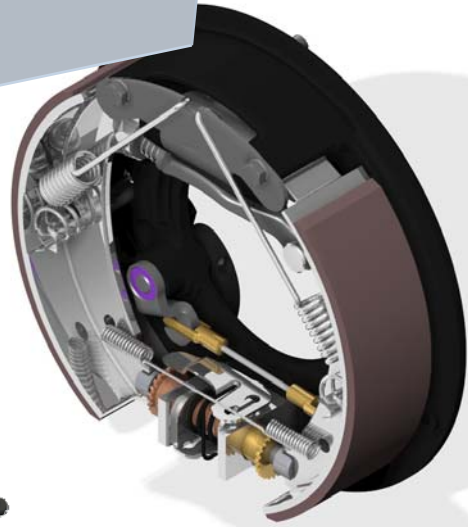
**NEW
PRODUCT**



Did You Know That We Also Supply...?

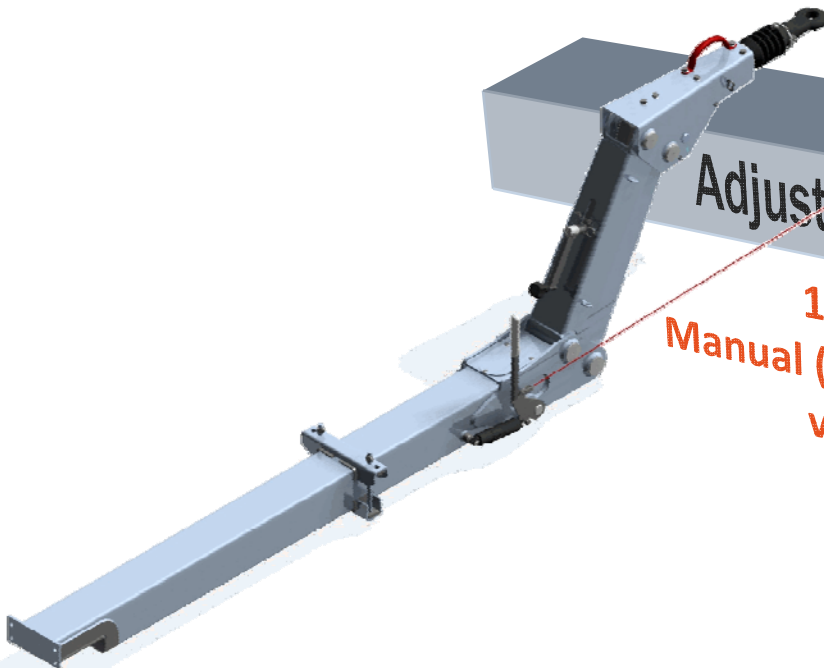
Power Brakes

Customised solutions for a wide range of applications. Disc brakes, cam brakes & drum brakes available



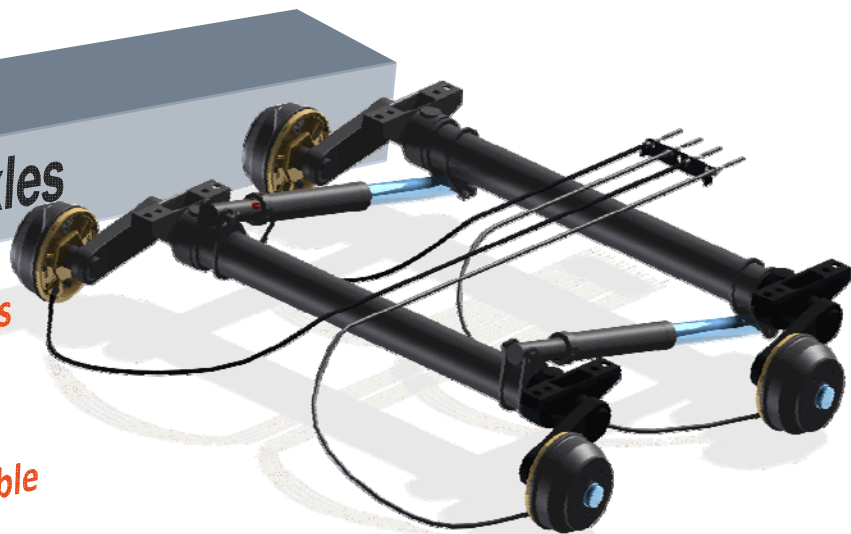
Adjustable Height Drawbars

1300Kg to 3500Kg
Manual (KHA) and winding (KHD)
versions available



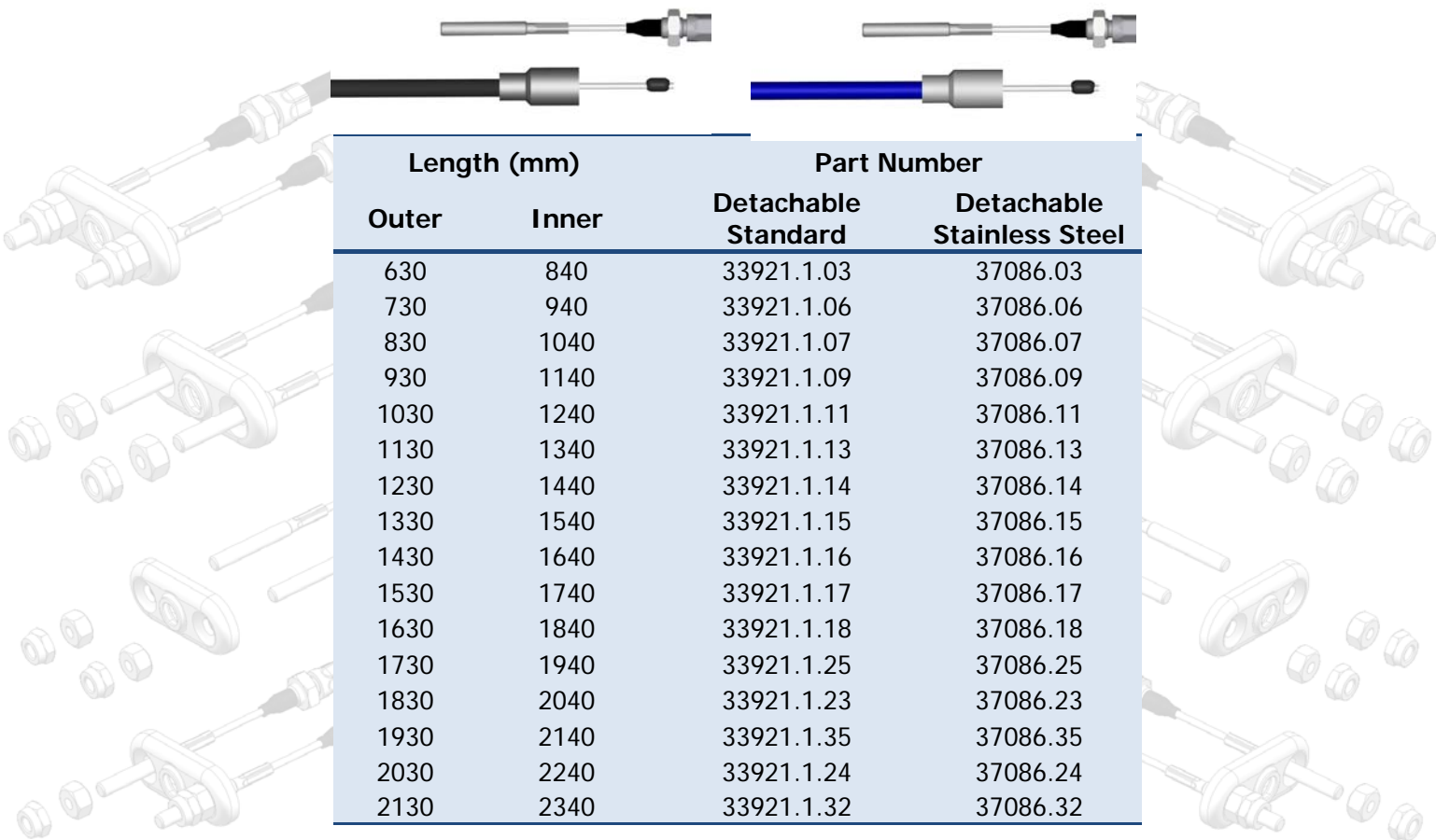
Lowering Axles

Single & tandem applications
Single to 4500Kg
Tandem to 9000Kg
Electric or manual pump available





Knott Detachable - Ø3.5mm Ø18.5mm Bell



| Length (mm) | | Part Number | |
|-------------|-------|---------------------|----------------------------|
| Outer | Inner | Detachable Standard | Detachable Stainless Steel |
| 630 | 840 | 33921.1.03 | 37086.03 |
| 730 | 940 | 33921.1.06 | 37086.06 |
| 830 | 1040 | 33921.1.07 | 37086.07 |
| 930 | 1140 | 33921.1.09 | 37086.09 |
| 1030 | 1240 | 33921.1.11 | 37086.11 |
| 1130 | 1340 | 33921.1.13 | 37086.13 |
| 1230 | 1440 | 33921.1.14 | 37086.14 |
| 1330 | 1540 | 33921.1.15 | 37086.15 |
| 1430 | 1640 | 33921.1.16 | 37086.16 |
| 1530 | 1740 | 33921.1.17 | 37086.17 |
| 1630 | 1840 | 33921.1.18 | 37086.18 |
| 1730 | 1940 | 33921.1.25 | 37086.25 |
| 1830 | 2040 | 33921.1.23 | 37086.23 |
| 1930 | 2140 | 33921.1.35 | 37086.35 |
| 2030 | 2240 | 33921.1.24 | 37086.24 |
| 2130 | 2340 | 33921.1.32 | 37086.32 |

Non Detachable



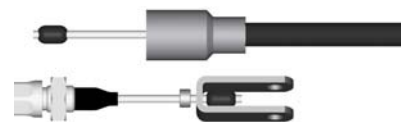
| Length (mm) | | Part Number |
|-------------|-------|-------------|
| Outer | Inner | |
| 600 | 875 | 35006.04 |
| 700 | 1000 | 35006.06 |
| 800 | 1100 | 35006.10 |
| 900 | 1200 | 35006.14 |
| 1000 | 1300 | 35006.16 |
| 1100 | 1400 | 35006.20 |
| 1200 | 1500 | 35006.24 |
| 1300 | 1575 | 35006.32 |
| 1400 | 1700 | 35006.28 |
| 1500 | 1800 | 35006.30 |
| 1600 | 1900 | 35006.33 |
| 1700 | 2000 | 35006.37 |

Detachable Ø23.5mm Bell



| Length (mm) | | Part Number |
|-------------|-------|-------------|
| Outer | Inner | |
| 350 | 560 | 35122.01 |
| 530 | 740 | 35122.02 |
| 770 | 980 | 35122.03 |
| 890 | 1100 | 35122.04 |
| 1020 | 1230 | 35122.05 |
| 1130 | 1340 | 35122.06 |
| 1320 | 1530 | 35122.07 |
| 1430 | 1640 | 35122.08 |
| 1620 | 1830 | 35122.09 |
| 1790 | 2000 | 35122.10 |
| 1920 | 2200 | 35122.11 |

Knott Detachable c/w Clevis Ø18.5mm Bell



| Length (mm) | | Part Number | |
|-------------|-------|-------------|-----------|
| Outer | Inner | Standard | S/Steel |
| 650 | 890 | 35902.01 | 980153.01 |
| 1086 | 1326 | 35902.02 | 980153.02 |
| 1240 | 1480 | 35902.03 | 980153.03 |
| 1600 | 1840 | 35902.04 | 980153.04 |
| 1030 | 1240 | 35902.05 | 980153.05 |



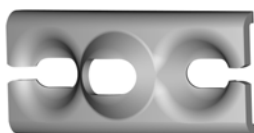
Other sizes & b
available on



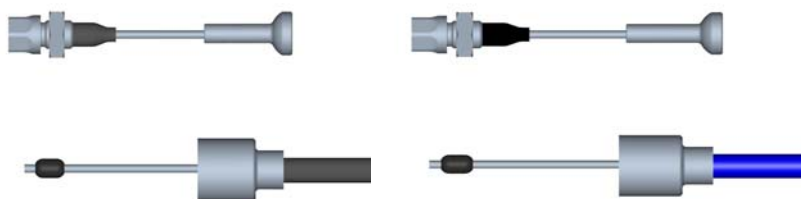
Knott Pronto Fit - Ø3.5mm Ø18.5mm Bell



| Length (mm) | | Part Number | |
|-------------|-------|---------------------|----------------------------|
| Outer | Inner | Detachable Standard | Detachable Stainless Steel |
| 430 | 620 | 980202.01 | 980207.01 |
| 530 | 720 | 980202.02 | 980207.02 |
| 630 | 820 | 980202.03 | 980207.03 |
| 730 | 920 | 980202.06 | 980207.06 |
| 830 | 1020 | 980202.07 | 980207.07 |
| 930 | 1120 | 980202.09 | 980207.09 |
| 1030 | 1220 | 980202.11 | 980207.11 |
| 1130 | 1320 | 980202.13 | 980207.13 |
| 1230 | 1420 | 980202.14 | 980207.14 |
| 1330 | 1520 | 980202.15 | 980207.15 |
| 1430 | 1620 | 980202.16 | 980207.16 |
| 1530 | 1720 | 980202.17 | 980207.17 |
| 1630 | 1820 | 980202.18 | 980207.18 |
| 1730 | 1920 | 980202.25 | 980207.25 |



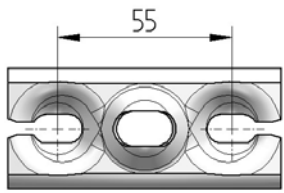
Knott Pronto Fit - Ø3.5mm Ø23.5mm Bell



| Length (mm) | | Part Number | |
|-------------|-------|---------------------|----------------------|
| Outer | Inner | Detachable Standard | Detachable Stainless |
| 520 | 726 | 980203.01 | 980206.01 |
| 770 | 966 | 980203.02 | 980206.02 |
| 890 | 1086 | 980203.03 | 980206.03 |
| 1020 | 1216 | 980203.04 | 980206.04 |
| 1130 | 1326 | 980203.05 | 980206.05 |
| 1320 | 1516 | 980203.06 | 980206.06 |
| 1430 | 1626 | 980203.07 | 980206.07 |
| 1620 | 1816 | 980203.08 | 980206.08 |
| 1790 | 1986 | 980203.09 | 980206.09 |



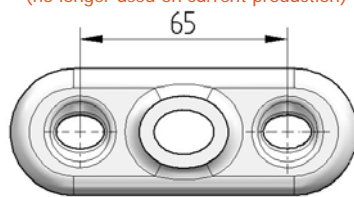
Current Knott Group Balance Bar



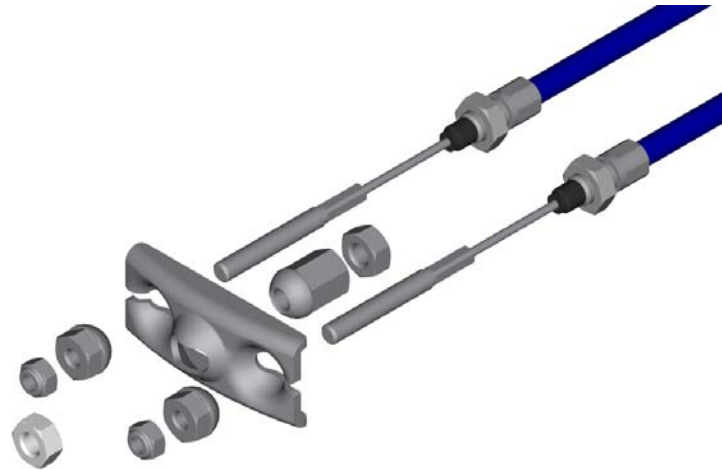
For use with threaded
& pronto fit cables.

Old Avonride Balance Bar

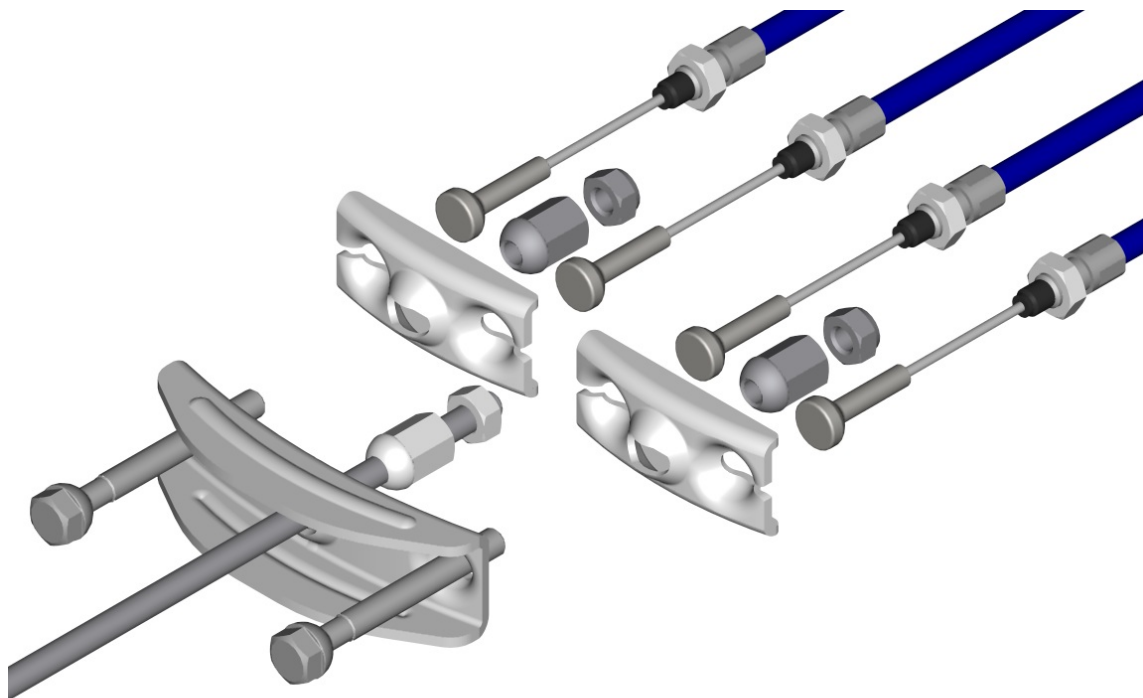
(no longer used on current production)



For use with threaded
cables only.



| Description | Comprising | Part Number |
|--|--|-------------|
| Tandem Axle Compensator Kit (Avonride – 65 Centres) | Equaliser Bar Balance Bar (x2) & Fasteners | 572002 |
| Single Axle Compensator Kit (Avonride – 65 Centres) | Balance Bar & Fasteners | 572001 |



| Description | Comprising | Part Number |
|---|--|-------------|
| Pronto-Fit Tandem Axle Compensator Kit (Knott – 55 Centres) | Equaliser Bar Balance Bar (x2) & Fasteners | 572012 |
| Pronto-Fit Single Axle Compensator Kit (Knott – 55 Centres) | Balance Bar & Fasteners | 572013 |

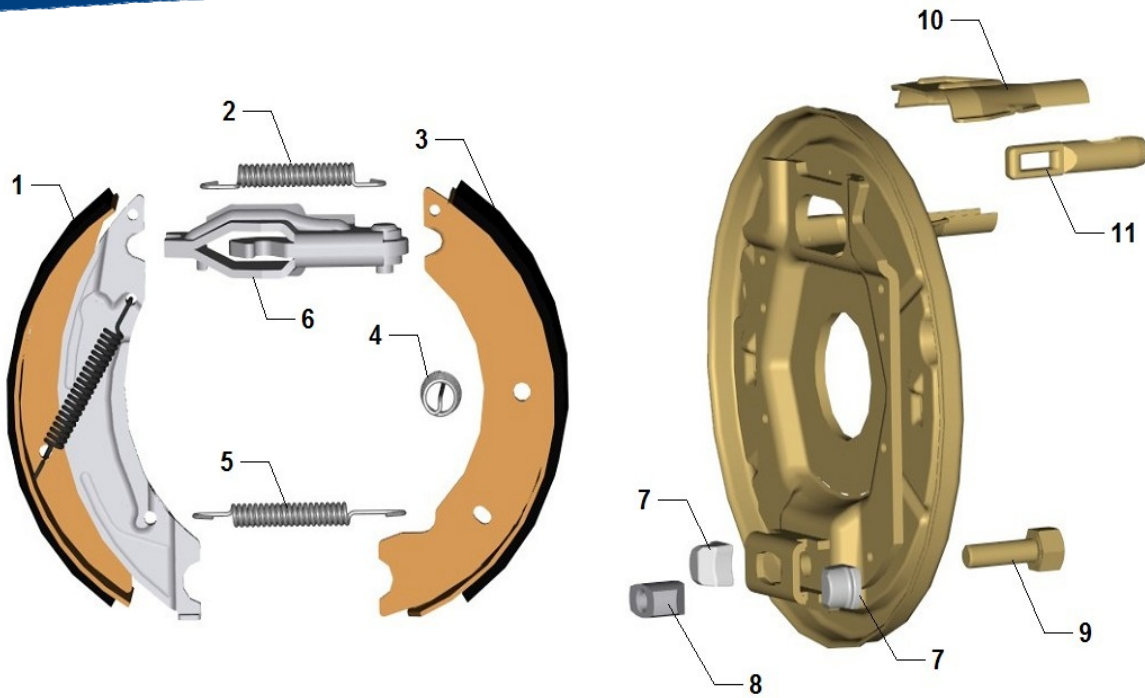


The KNOTT Group is represented in every EU country and beyond. This assures users that support is readily available locally no matter where the trailer is used.





Spreadlever Auto-Reverse Brake



| | Description | To Suit | Part Number |
|--------|--|----------------------------------|----------------|
| 1 to 5 | Brake Shoe Axle Set (2 fixed shoes, 2 sliding shoes & spring set) | 160x35 MKI | 520064.002 |
| | | 160x35 MKII | 520064.003 |
| | | 160x35 MKIII | 520064.001 |
| | | 203x40 | 520065.003 |
| | | 200x50 | 520066.004 |
| | | 250x40 | 520067.004 |
| 6 | Expander | 300x60 | 520089.001 |
| | | 160x35 MKI / MKII / MKIII | 406415.001 |
| | | 203x40, 200x50, 250x40 | 45309 |
| | | 300x60 | 43123-1 |
| 7 | Adjuster Shoe Post | 160x35 MKI/ MKII | 43673 |
| | | 160x35 MKIII, 203x40, 200x50 | Part of 572007 |
| | | 250x40 | Part of 572008 |
| | | 300x60 | 35212 |
| 8 | Re-Adjustment Wedge | 160x35 MKI & II Includes Bolt | 42902 |
| | | 160x35 MKIII, 203x40, 200x50 | Part of 572007 |
| | | 250x40 | Part of 572008 |
| | | 300x60 | 45439 |

| | Description | To Suit | Part Number |
|----|---|--------------------------------------|----------------|
| 9 | Bolt | 160x35 MKIII, 203x40, 200x50 | Part of 572007 |
| | | 250x40 | Part of 572008 |
| | | 300x60 | 45802 |
| 10 | Half Shell | 160x35 MKI / MKII | 44656 |
| | | 160x35 MKIII, 203x40, 200x50, 250x40 | 572000 |
| | | 300x60 | 33623 |
| 11 | Eyelet (current detachable cables) | 160x35 MKIII, 203x40, 200x50, 250x40 | 572014 |
| | | 300x60 | 44856 |
| | <u>Spring Kits</u> Shoe Steady Carrier Tension **Buckle | 160x35 MKI | 520091 |
| | | 160x35 MKII** | 520090 |
| | | 160x35 MKIII | 520076 |
| | | 200x50 | 520077 |
| | | 203x40 | 520049 |
| | | 250x40 | 520050 |
| | | 300x60** | 520078 |
| | **Washer | 160x35 MKI & MKII | D125.004 |
| | **Nut | 160x35 MKI & MKII | D985.001 |

** Not Shown



Spreadlever Automatic Adjusting Brake

Vehicle "UP" Time Increased ▪ Service Intervals Extended ▪ Servicing Time Reduced

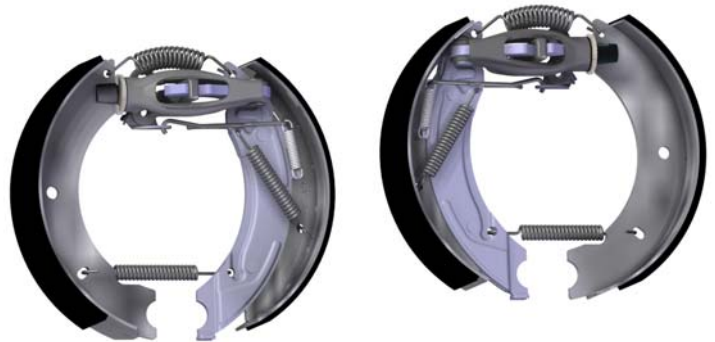


We have developed and Type Approved a trailer brake that automatically adjusts, ensuring that the brakes are always at their optimal setting. This means:-

- ✓ Quick and simple installation
- ✓ With UNECE Regulation 13 and EU EC 71/320 approval
- ✓ Braking response is always immediate, equal and smooth on all wheels
- ✓ Braking distance is reduced to its shortest
- ✓ Reversing is trouble free
- ✓ Handbrake application and release is effortless
- ✓ Reduced wear and tear on trailer, damper, cables, rods, linkages
- ✓ Reduced wear and tear on towing vehicle and driver
- ✓ Roadworthiness is maintained = peace of mind for the fleet operator
- ✓ Servicing is quicker; emphasis on brake inspection, not brake adjustment
- ✓ Trailer brake related accidents and incidents are avoided
- ✓ Health and Safety improved

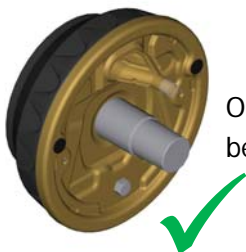
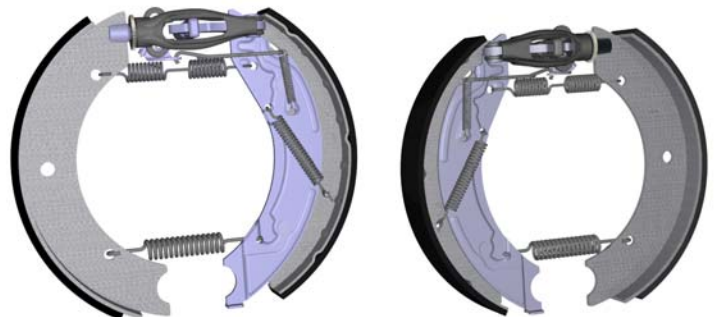
For 200x50 with auto reverse

| Description | Weight (kg) | Part Number |
|---|-------------|-------------|
| Axle Set—200x50 Auto Adjusting Brake for KNOTT Brake Types 20-2425/1 | 3,30 | 409930.001 |



For 250x40 with auto reverse

| Description | Weight (kg) | Part Number |
|---|-------------|-------------|
| Axle Set—250x40 Auto Adjusting Brake for KNOTT Brake Types 25-2025 | 4,70 | 409931.001 |



Only backplates with this form can be retro-fitted with Auto-adjust



Backplates with this form **cannot** be retro-fitted



Braked 160x35



AVONRIDE
C SERIES



KNOTT SFL



KNOTT
TPR BEARING

| Brake Size / Type | Casting N° | Description | Kit Prefix | Bearing | Bearing Kit Inc. Seal | Grease Cap | Hub Nut |
|-------------------|------------|---------------------|------------|-----------------------------|-----------------------|------------------|-----------------|
| 160x35 / 16-1365 | 23815 | Knott TRB | 5201xx | 30204A 30206A | 571012 | 42191 (48mm) | 574008 (M20) |
| 160x35 / 16-1365 | 24725 | Knott SFL | 409699 | Ø34 x Ø64 x 37mm | 571005 | 573005 (52mm) | 574014 (M24) |
| 160x35 / 16-1365 | 400464 | Knott SFL | 409699 | Ø34 x Ø64 x 37mm | 571005 | 573005 (52mm) | 574014 (M24) |
| 160x35 / 16-1365 | 12345 | Avonride "C" Series | C24001 | NTN 32004X L44649/L44610 | 571001 | 573002 (47mm) | 574008 (M20) |

Braked 200x50 / 203x40



AVONRIDE
A SERIES



AVONRIDE
R SERIES



KNOTT SFL
BEARING HD



KNOTT & AVONRIDE
SFL X SERIES

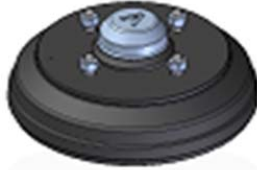


KNOTT TPR
BEARING

| Brake Size / Type | Casting N° | Description | Kit Prefix | Bearing | Bearing Kit Inc. Seal | Grease Cap | Hub Nut |
|---|------------|---------------------|------------|----------------------------------|-----------------------|------------------|-----------------|
| 200x50 / 20-2425 | 21240-2 | Knott TRB | 52012x | 30205A 30206A | 571013 | 573005 (52mm) | 574006 (M20) |
| 200x50 / 20-2425 | 26979 | Knott SFL | C24014 | Ø34 x Ø64 x 37mm | 571005 | 573004 (64mm) | 574014 (M24) |
| 200x50 / 20-2425 | 25955 | Knott SFL | 28744 | Ø39 x Ø72 x 37mm | 571006 | 573005 (52mm) | 574014 (M24) |
| 200x50 / 20-2425 203x40 / 20,32-1647 | 11890 | Avonride "A" Series | C24000 | NTN 32004X LM67048/LM67010 | 571002 | 573002 (47mm) | 574008 (M20) |
| 200x50 / 20-2425 203x40 / 20,32-1647 | 13856 | Avonride "R" Series | C24011 | L44649/L44610 LM67048/LM67010 | 571002 | 573001 (60mm) | 574008 (M20) |
| 200x50 / 20-2425 203x40 / 20,32-1647 | 26979 | Avonride "X" Series | C24014 | Ø34 x Ø64 x 37mm | 571005 | 573004 (64mm) | 574014 (M24) |



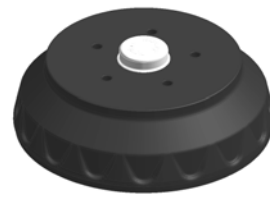
Braked 250x40



AVONRIDE
T SERIES



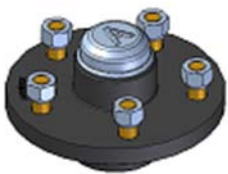
AVONRIDE
V SERIES



AVONRIDE &
Y SERIES KNOTT
SFL BEARING

| Brake Size / Type | Casting N° | Description | Kit Prefix | Bearing | Bearing Kit Inc. Seal | Grease Cap | Hub Nut |
|-------------------|------------|---------------------|------------|------------------------------------|-----------------------|-----------------|--------------|
| 250x40 / 25-2025 | 25449 | Knott SFL | C24015 | Ø39 x Ø72 x 37mm | 571006 | 573005 (52mm) | 574014 (M24) |
| 250x40 / 25-2025 | 14475 | Avonride "T" Series | C24012 | LM67048/LM67010 LM48548/LM48510 | 571000 | 573003 (74.5mm) | 574006 (M24) |
| 250x40 / 25-2025 | 14368 | Avonride "V" Series | C24013 | LM67048/LM67010 LM48548/LM48510 | 571000 | 573003 (74.5mm) | 574006 (M24) |
| 250x40 / 25-2025 | 25449 | Avonride "Y" Series | C24015 | Ø39 x Ø72 x 37mm | 571006 | 573005 (52mm) | 574014 (M24) |

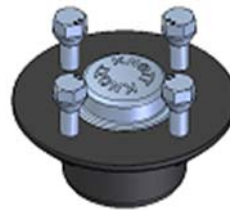
Unbraked



AVONRIDE
E SERIES



AVONRIDE
N SERIES



AVONRIDE &
P SERIES KNOTT
SFL BEARING



KNOTT
TPR BEARING

| Brake Size / Type | Casting N° | Description | Kit Prefix | Bearing | Bearing Kit Inc. Seal | Grease Cap | Hub Nut |
|-------------------|------------------|---------------------|------------|---------------------------------|-----------------------|---------------|-------------------|
| Unbraked | 4H2145 6A2145 | Knott SFL | C24010 | Ø34 x Ø64 x 37mm | 571005 | 573002 (47mm) | 574014 (M24) |
| Unbraked | 4H1229 6B1229 | Knott TRB | 52013x | 30204A 30206A | 571012 | 573002 (47mm) | 6X0935.01 5 (M18) |
| Unbraked | 12716 | Avonride "E" Series | C24002 | NTN 32004X L44649/L44610 | 571001 | 573002 (47mm) | 574008 (M20) |
| Unbraked | 15106 | Avonride "N" Series | C24009 | L44643/L44610 L44643L/L44610 | 571003 | 573006 (50mm) | 574008 (5/8 UNF) |
| Unbraked | 6A2145 | Avonride "P" Series | C24010 | Ø34 x Ø64 x 37mm | 571005 | 573002 (47mm) | 574014 (M24) |



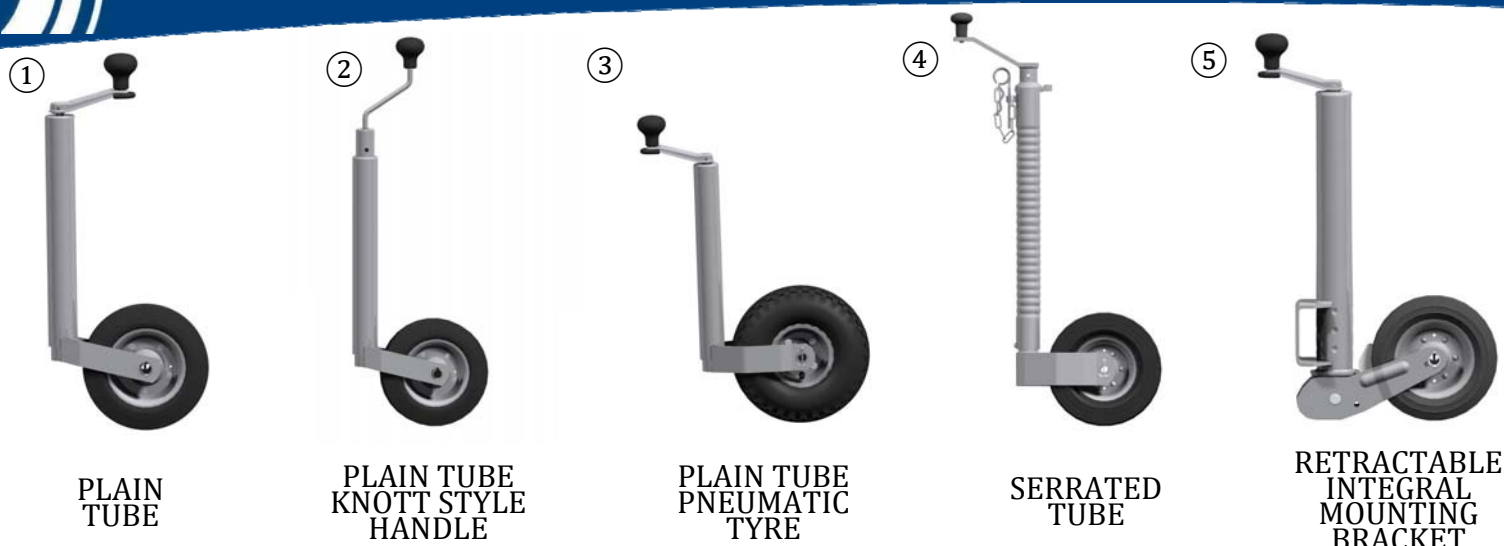
PCD Options:-

- ✓ 4/98.0
- ✓ 4/100
- ✓ 4/101.6
- ✓ 4/139.7
- ✓ 5/112
- ✓ 5/140
- ✓ 5/165.1
- ✓ 5/152.4
- ✓ 6/205

TPR = Taper Roller / SFL = Sealed For Life



✓ Studs or Tapped Holes?
✓ Conical or Spherical Fixings?
Please specify



PLAIN TUBE

PLAIN TUBE
KNOTT STYLE
HANDLE

PLAIN TUBE
PNEUMATIC
TYRE

SERRATED
TUBE

RETRACTABLE
INTEGRAL
MOUNTING
BRACKET

Plain Tube Jockey Wheels

| Diameter | Tyre | Height w/o handle (mm) + extension | Part Number |
|----------|----------|------------------------------------|-------------|
| Ø 35 | 200 x 40 | 550 - 750 | J135M |
| Ø 35 | 200 x 40 | 546 - 765 | J135K |
| Ø 42 | 200 x 40 | 600 - 825 | J142K |
| Ø 48 | 200 x 40 | 525 - 720 | J148 |
| Ø 48 | 200 x 40 | 592 - 800 | J148K |
| Ø 48 | 205 x 50 | 710 - 930 | J348P205 |
| Ø 48 | 220 x 70 | 520 - 702 | J248BLACK |
| Ø 48 | 260 x 85 | 400 - 580 | J248PT |

①
②
③

Serrated Tube Jockey Wheels

| Diameter | Tyre | Height w/o handle (mm) + extension | Part Number |
|----------|----------|------------------------------------|-------------|
| Ø 48 | 205 x 50 | 710 - 930 | J348S205 |
| Ø 48 | 230 x 65 | 720 - 940 | J348S |
| Ø 60 | 280 x 66 | 865 - 1150 | J360B |

④

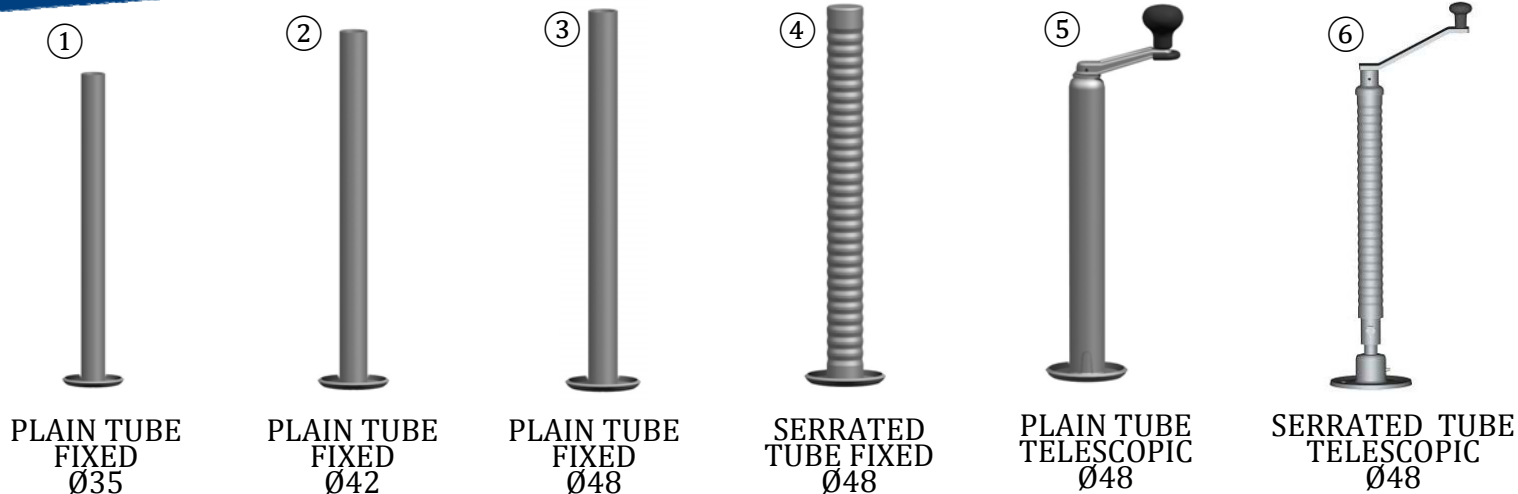
Integral Mounting Bracket

| Diameter | Tyre | Height w/o handle (mm) + extension | Part Number |
|----------|----------|------------------------------------|-------------|
| Ø 60 | 205 x 50 | 850 - 1115 | J360R |

⑤

Spares

| Tyre | Rim / Tyre | Part Number | |
|----------|--------------------|----------------|----------------------|
| | | Wheel Part No. | Axle & Split Pin Kit |
| 200 x 40 | Steel/Solid Rubber | 200/40B | 578004 |
| 205 x 50 | Steel/Solid Rubber | 205/50 | 578004 |
| 220 x 70 | Steel/Solid Rubber | 230/65 | 578005 |
| 260 x 85 | Steel/Pneumatic | 260/85 | 578006 |
| 280 x 66 | Steel/Solid Rubber | 280/66 | 578007 |



Plain Tube Fixed Propstands

| Diameter | Length (mm) | Part Number |
|----------|-------------|-------------|
| Ø 35 | 450 | P345PL ① |
| Ø 35 | 600 | P346PL |
| Ø 42 | 600 | P426PL ② |
| Ø 42 | 750 | P428PL |
| Ø 48 | 600 | P486PL ③ |
| Ø 48 | 750 | P488PL |
| Ø 48 | 900 | P489PL |

Serrated Tube Propstands

| Diameter | Length (mm) | Part Number |
|----------|-------------|-------------|
| Ø 48 | 385 | P48S385 ④ |
| Ø 48 | 510 | P48S508 |
| Ø 48 | 585 | P48S585 |
| Ø 48 | 720 | P48S720 |

i Other lengths available

Telescopic Propstands

| Diameter | Height w/o handle (mm) + extension | Part Number |
|---------------|------------------------------------|-------------|
| Ø 42 | 402 - 617 | TP42 |
| Ø 48 | 406 - 646 | TP48 ⑤ |
| Ø 48 Serrated | 547 - 800 | 3TTL060 ⑥ |

Swivel Foot Propstands

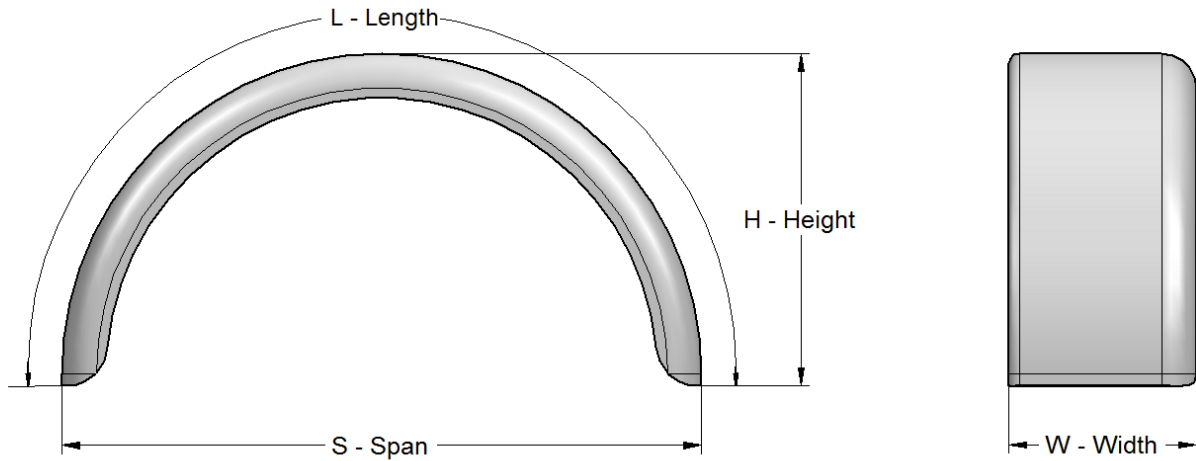
| Length (mm) | Part Number |
|-------------|-------------|
| 500 | PSF500 ⑦ |
| 550 | PSF550 |



Brackets

| Diameter (mm) | Style | Mounting Hole Centres (mm) | Part Number |
|---------------|---------|----------------------------|-------------|
| 35 | Pressed | 105 x Ø11(x2) | B35P3 |
| 35 | Cast | 101 x Ø14.5(x2) | B35C3 |
| 42 | Pressed | 105 x Ø11(x2) | B42P3 |
| 42 | Cast | 101 x Ø14.5(x2) | B42C3 |
| 48 | Pressed | 105 x Ø11(x2) | B48P3 |
| 48 | Pressed | 112/120 x 50 x Ø11(x4) | 3LB022 |
| 48 | Cast | 150 x Ø14.5(x2) | B48C6 |
| 60 | Pressed | 171 x 50 x Ø14.5(x4) | B60P |





Single Axle—Steel / Round

| Tyre Size | Profile | Width 'W' | Length 'L' | Span 'S' | Height 'H' | Part Number |
|-----------|---------|-----------|------------|----------|------------|-------------|
| 10/12" | 40/40 | 195 | 1060 | 680 | 345 | 530223.001 |
| 12" | 40/40 | 200 | 1065 | 660 | 345 | 402252.001 |
| 13" | 40/40 | 220 | 1210 | 750 | 390 | 402505.001 |
| 13" | 40/40 | 220 | 1210 | 750 | 390 | 4803419X |
| 14" | 40/40 | 240 | 1285 | 800 | 415 | 401532.001 |
| 16" | 40/40 | 270 | 1160 | 1000 | 545 | 400353.001 |

Single Axle—Steel / Angular

| Tyre Size | Profile | Width 'W' | Length 'L' | Span 'S' | Height 'H' | Part Number |
|-----------|---------|-----------|------------|----------|------------|-------------|
| 8" | 12/40 | 150 | 800 | 550 | 250 | 530204.001 |
| 10" | 12/40 | 160 | 900 | 600 | 280 | 530203.001 |
| 10" | 12/40 | 190 | 1060 | 660 | 310 | 403455.001 |
| 12/13" | 12/40 | 220 | 1150 | 750 | 350 | 402510.001 |
| 13" | 12/40 | 220 | 1200 | 800 | 370 | 400349.001 |
| 13" | 12/40 | 240 | 1240 | 800 | 370 | 402511.001 |
| 14" | 12/40 | 240 | 1300 | 860 | 395 | 401851.001 |



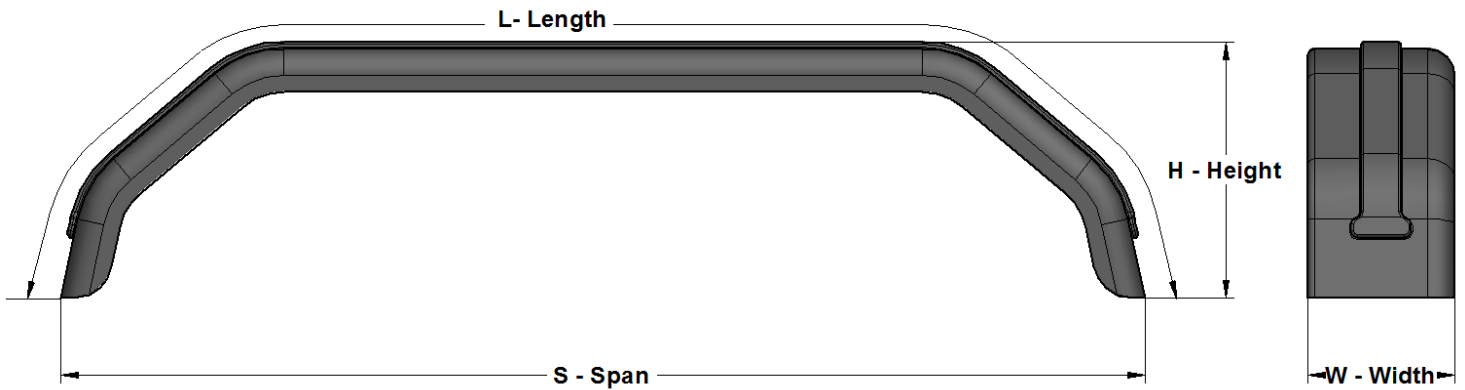
- ✓ Available for single & tandem wheel applications
- ✓ Galvanised Steel or Polymer options
- ✓ Vast range to suit majority of trailer wheel sizes
- ✓ Variable mounting profiles
- ✓ Separate mounting brackets available
- ✓ Half mudguard / wheel flap available

Profile 40/40



Profile 12/40





Tandem Axle—Steel / Round or Angular

| Tyre Size | Profile | Width 'W' | Length 'L' | Span 'S' | Height 'H' | Part Number |
|-----------|---------|-----------|------------|----------|------------|-------------|
| 10" | 12/40 | 200 | 1610 | 1250 | 300 | 530193.001 |
| 12/13" | 12/40 | 220 | 1800 | 1400 | 350 | 530194.001 |
| 13" | 12/40 | 220 | 2040 | 1550 | 375 | 400344.001 |
| 13" | 12/40 | 220 | 2040 | 1550 | 390 | 401989.001 |
| 13" | 12/40 | 230 | 1980 | 1520 | 400 | 402499.001 |
| 14" | 12/40 | 230 | 2050 | 1580 | 400 | 407331.001 |
| 14" | 12/40 | 240 | 2000 | 1500 | 410 | 400346.001 |
| 14" | 12/40 | 240 | 2200 | 1700 | 445 | 400356.001 |

Polymer Single / Tandem Mudguards

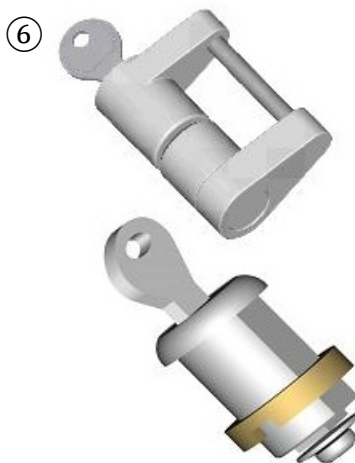
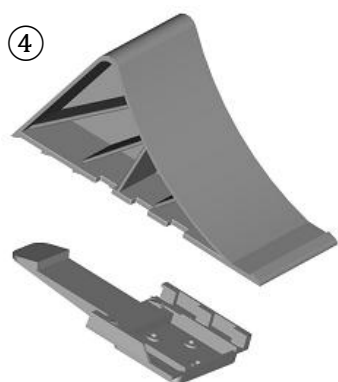
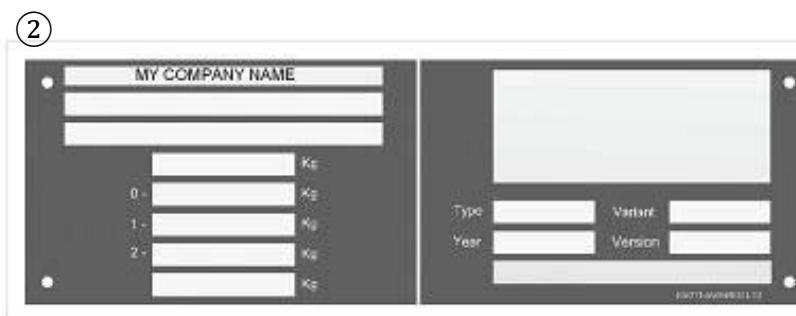
| Tyre Size | Profile | Width 'W' | Length 'L' | Span 'S' | Height 'H' | Part Number |
|-----------|---------|-----------|------------|----------|------------|-------------|
| 8" | 12/40 | 120 | 770 | 520 | 230 | 404449.001 |
| 10" | 12/40 | 180 | 1040 | 660 | 330 | 404450.001 |
| 12" | 12/40 | 200 | 1040 | 660 | 330 | 404451.001 |
| 13" | 12/40 | 220 | 1120 | 750 | 330 | 404452.001 |
| 13" | 12/40 | 220 | 1200 | 750 | 390 | 400340.001 |
| 14" * | 12/40 | 260 | 1300 | 800 | 415 | 400342.001 |
| 14" | 12/40 | 220 | 1300 | 800 | 415 | 400341.001 |
| 14" | 12/40 | 240 | 1300 | 800 | 415 | 4804279X |
| 14" ** | 12/20 | 220 | - | 1550 | 380 | 4804299X |

* Low Profile

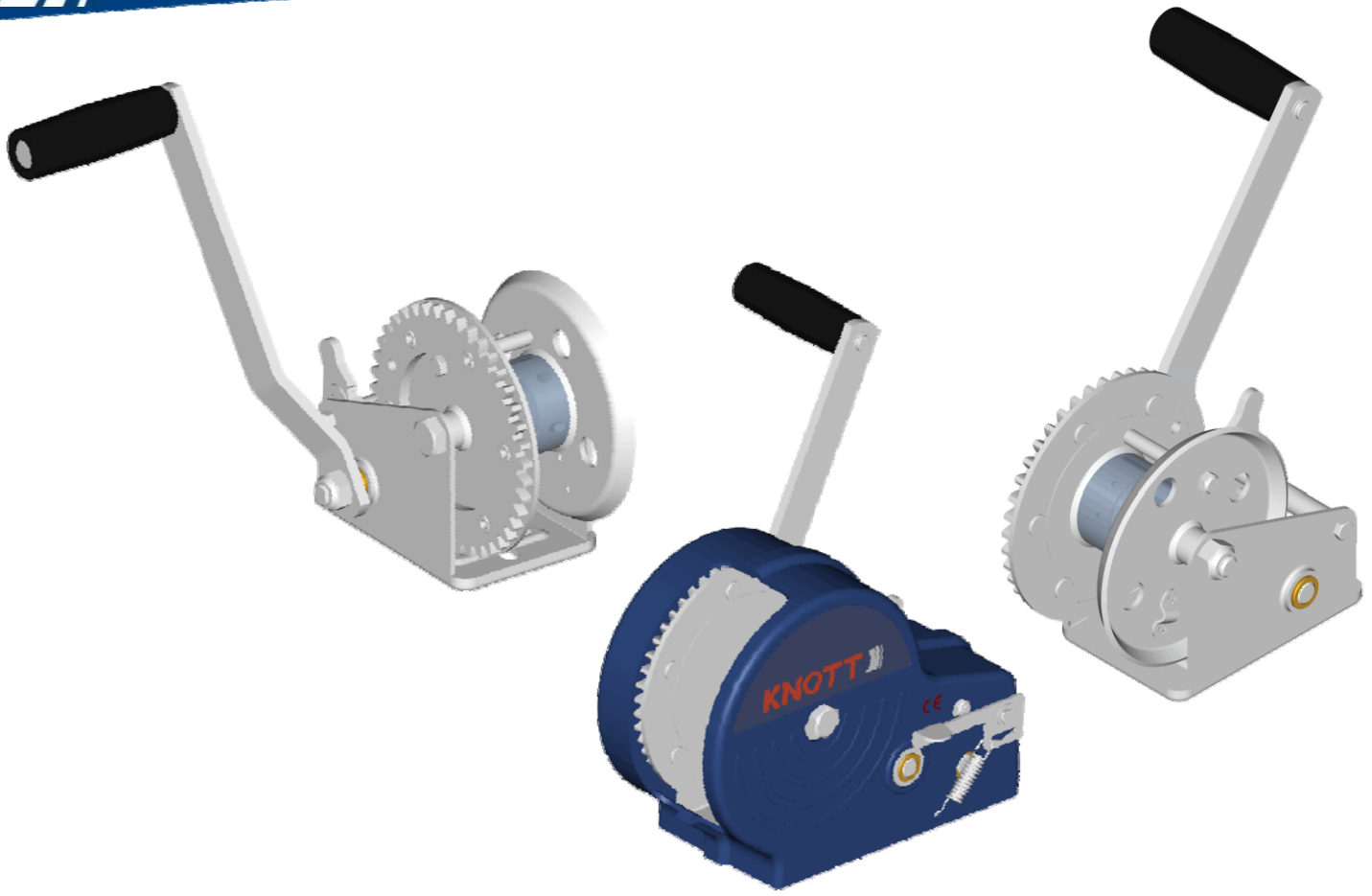
** Tandem



Other sizes available on request!



| | Part Number | Description |
|---|-------------|---------------------------------|
| ① | 400086.001 | Mud Flap - with Knott Logo |
| | 400086.011 | Mud Flap - without Knott Logo |
| ② | 530244.001 | Personalised Chassis Vin Plate |
| ③ | 550014.001 | 7 or 13 Pin Plug Holder |
| ④ | 4803309X | Wheel Chock 220x100x90 (1600kg) |
| | 4803319X | Wheel Chock Holder |
| ⑤ | 206593.001 | Bolt-on Skid Kit |
| ⑥ | 6X0002.007 | Lock for Knott Pressed Heads |
| | 575000 | Replacement Lock Avonride Heads |
| ⑦ | 575006 | Blue Security Ball |



| | Part Number | Description |
|---------------------|-------------|-----------------------|
| EC Approved Winches | 6X0017.004 | 450Kg Capacity* |
| | 6X0017.005 | 900Kg Capacity* |
| | 6X0017.006 | 1100Kg Capacity* |
| Covers | 6X1238.001 | For 6X0017.004 |
| | 6X1238.002 | For 6X0017.005 & .006 |
| Cables | 6X1522.001 | Ø4mm (7m long) |
| | 6X1522.002 | Ø5mm (10.1m long) |
| | 6X1522.003 | Ø5.3mm (10.1m long) |
| Straps | 6X1407.001 | 48mm (9.8m long) |
| | 6X1407.002 | 52mm (9.8m long) |

* Cable / Strap supplied separately.



A-Frame Drawbars (ZHL)



| Type | Length (mm) | Description | Drawing Number | Max. Weight (kg) |
|------------|--------------------------------|-----------------|----------------|------------------|
| ZHL7,5-A | 2000-2500 | Bolt-On A-Frame | 206061 | 750 |
| ZHL15-A | 2000-2500 | Bolt-On A-Frame | 201022 | 1800 |
| ZHL20-A | 2000-2500 | Bolt-On A-Frame | 201024 | 2400 |
| ZHL27-A | 2000-2500 | Bolt-On A-Frame | 201026 | 3000 |
| ZHL35-A | 2000-2500 | Bolt-On A-Frame | 201028 | 3500 |
| 402777.001 | Connector Kit 80mm Round Axle | | | |
| 29531.01 | Connector Kit 80mm Square Axle | | | |

Square Drawbars (KDV)



| Type | Length (mm) | Description | Drawing Number | Max. Weight (kg) |
|--------|-------------|----------------|----------------|------------------|
| KDV60 | 1500-2500 | 60mm Straight | 204602 | 1000 |
| KDV70 | 1500-2500 | 70mm Straight | 204603 | 1400 |
| KDV80 | 1500-2500 | 80mm Straight | 204791 | 2000 |
| KDV100 | 1500-2500 | 100mm Straight | 204605 | 3000 |
| KDV120 | 1500-2500 | 120mm Straight | 204606 | 3500 |





Datatag is world renowned for its electronic theft deterrent systems. Its products have helped to drastically reduce the rates of stolen property and are fitted on many assets such as motorcycles, jet skis, golf equipment and marine components. Benefits include:-



- ✓ Peace of mind and security to any trailer application / caravan fitted with the kit.
- ✓ Proven deterrent against theft. The UK Crown Prosecution Service has a 100% successful prosecution record where Datatag has been used as evidence in court.
- ✓ Powerful aid to identification and recovery supported by a 24/7/365 Home Office and ACPO Approved call centre.
- ✓ Immediate & ongoing payback - can result in up to 20% discount on insurance premiums with certain insurance companies.

Trailer Kit

- 2 x Highly Visible Trailer ID Plates
- 2 x Button Transponders
- 1 x Glass Transponder
- 1 x Tube of Datadots with Forensic DNA
- 1 x Epoxy Resin and Applicator
- 1 x Fitting Instructions
- 1 x Datatag Registration Form



Caravan / Motorhome Kit

- 2 x Highly Visible ID Plates
- 2 x Self Adhesive Tags
- 2 x Button Transponders
- 1 x Glass Transponder
- 1 x Tube of Datadots with Forensic DNA
- 1 x Epoxy Resin and Applicator
- 1 x Fitting Instructions
- 1 x Datatag Registration Form



| Part Number | Description |
|-------------|-------------------------|
| 590000 | Trailer Kit |
| 590001 | Caravan / Motorhome Kit |



| Part Number | Description | Reverse | Fog | Reg Plate Lamp |
|-------------|------------------------------------|---------|-----|----------------|
| 401511.001 | Multipoint V Rear Lamp Cluster LHS | ✓ | ✓ | ✓ |
| 401511.002 | Multipoint V Rear Lamp Cluster RHS | ✓ | ✓ | ✓ |
| 404485.001 | Earpoint III Rear Lamp Cluster LHS | - | ✓ | - |
| 409012.001 | Earpoint III Rear Lamp Cluster RHS | - | ✓ | - |

| Part Number | Description | Stick On | Screw Fixing | Size (mm) |
|-------------|-----------------------------|----------|--------------|-----------|
| 4803799X | Reflector Amber Round | - | ✓ | Ø60 |
| 402653.001 | Reflector Amber Rectangular | ✓ | - | 90 x 40 |
| 4803819X | Reflector White Round | - | ✓ | Ø60 |
| 402654.001 | Reflector White Rectangular | ✓ | - | 90 x 40 |
| 4803759X | Red Warning Triangle | - | ✓ | 157(x3) |



| Part Number | Description | Cable | Colour | Size (mm) |
|-------------|--------------------------------------|----------|-----------|-----------|
| 406650.001 | Reg Plate Lamp - Large | 1.5m DC | White | 100 x 60 |
| 406648.001 | Reg Plate Lamp - Small | 1.5m DC | White | 85 x 49 |
| 404513.001 | Superpoint II End Outline Marker LHS | 0.75m DC | Red/White | 170 x 100 |
| 404514.001 | Superpoint II End Outline Marker RHS | 0.75m DC | Red/White | 170 x 100 |
| 406734.001 | Flexipoint I Position Lamp | 0.5m DC | White | 65 x 44 |
| 406738.001 | Flexipoint I Position Lamp | 1.0m DC | White | 65 x 44 |



| Part Number | Description | Length | DC Length | 13 or 7 pin |
|-------------|----------------|--------|-----------|-------------|
| 510309 | Wiring Harness | 3.5m | 2 x 3.5m | 13 Pin |
| 530310 | Wiring Harness | 4.5m | 2 x 4.5m | 13 Pin |
| 510311 | Wiring Harness | 5.5m | 2 x 5.5m | 13 Pin |
| 510312 | Wiring Harness | 6.5m | 2 x 6.5m | 13 Pin |



| Part Number | Description |
|-------------|-------------------------|
| 510195 | DC Connecting Kit |
| 401404.001 | 7 Pin to 13 Pin Adaptor |
| 401405.001 | 13 Pin to 7 Pin Adaptor |



Other lighting accessories available on request!



We supply certificates, test reports and documentation that can be used for all Type Approval Applications.

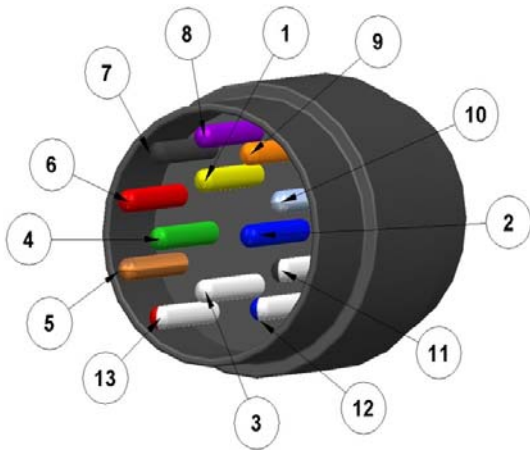
Whether you are a volume manufacturer seeking EC Whole Vehicle Type Approval, National Approval or an Individual Approval for a one off trailer, our documentation will satisfy all your needs.

Kraftfahrt-
Bundesamt





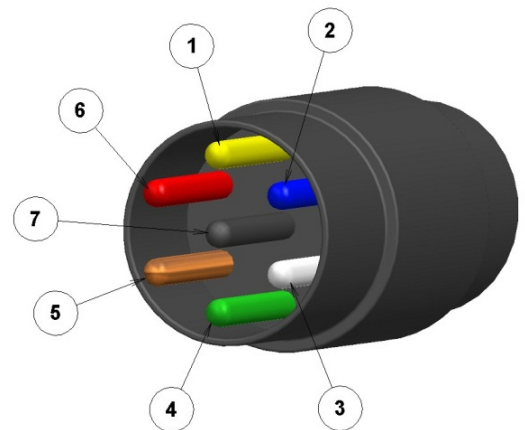
13 Pin Wiring



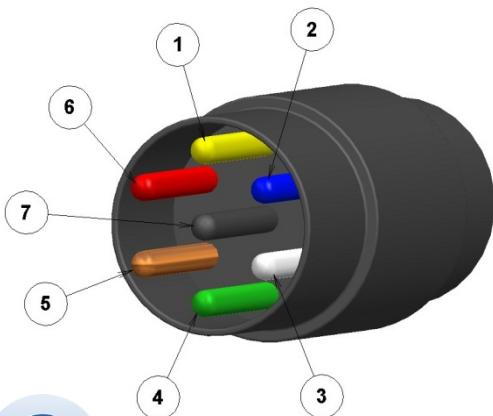
| | Colour | Description |
|----|-------------|--|
| 1 | Yellow | LH Indicator |
| 2 | Blue | Rear Fog Lamp |
| 3 | White | Earth for Pins 1 to 8 |
| 4 | Green | RH Indicator |
| 5 | Brown | RH Tail Lamp, End Outline, No Plate Lamp |
| 6 | Red | Stop Lamps |
| 7 | Black | LH Tail Lamp, End Outline, No Plate Lamp |
| 8 | Pink | Reversing Lamp |
| 9 | Orange | 12V Power Feed |
| 10 | Grey | Fridge (IGN Switched Live) |
| 11 | White/Black | Earth for Pin 10 |
| 12 | White/Blue | Spare (Signal) |
| 13 | White/Red | Earth Return for Pin 9 |

12N 7 Pin 12 Volt (Normal)

| | Colour | Description |
|---------|--------|-------------------------------------|
| 1 (L) | Yellow | LH Indicator |
| 2 (54G) | Blue | Rear Fog Lamp |
| 3 (31) | White | Earth |
| 4 (R) | Green | RH Indicator |
| 5 (58R) | Brown | RH Tail, End Outline, No Plate Lamp |
| 6 (54) | Red | Stop Lamps |
| 7 (58L) | Black | LH Tail, End Outline, No Plate Lamp |



12S 7 Pin 12 Volt (Supplementary)



| | Colour | Description |
|---------|--------|----------------------------|
| 1 (L) | Yellow | Reversing Lamp |
| 2 (54G) | Blue | Spare |
| 3 (31) | White | Earth |
| 4 (R) | Green | 12V Power Feed |
| 5 (58R) | Brown | Spare |
| 6 (54) | Red | Fridge (IGN Switched Live) |
| 7 (58L) | Black | Spare or Earth for Pin 6 |



Converters are available to enable attachment of 13 pin, 7 pin and 7S connectors for both tow vehicle and trailer.

A 13 pin equipped trailer with reversing lights will need an adaptor when coupled to a 7 pin equipped tow vehicle and reversing lamp will not be functional.

Type approved trailers will need to be equipped with reversing lights:-

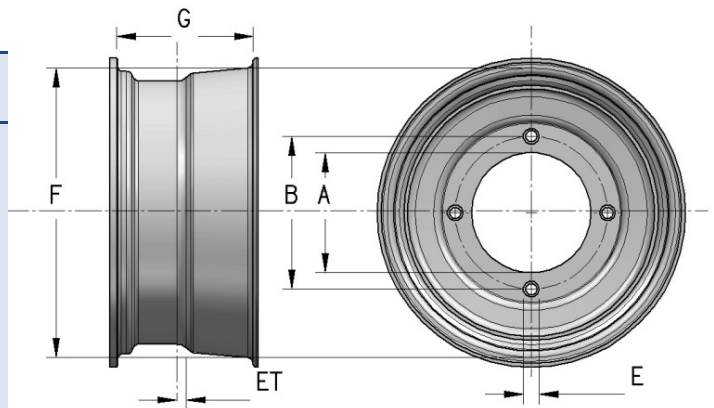
O₁ optional **** O₂ mandatory (one lamp up to 6m long, two lamps over 6m long)

We also supply lighting equipment - see previous pages or contact us for further details



Centre Wheel Studding

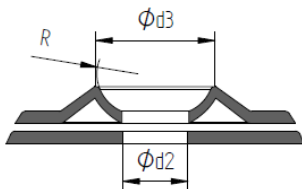
| No of Bolts | Bore (A) | PCD (B) | Bolt |
|-------------|----------|-------------|---------|
| 4 | 58 | 98 | M12 |
| 4 | 57-60 | 100 | M12 |
| 4 | 66.7 | (4") 101.6 | 3/8" |
| 5 | 63-67 | 112 | M12/M14 |
| 5 | 80 | (4½") 115 | M12 |
| 4 | 95.25 | (5½") 139.7 | M12 |
| 5 | 94 | 140 | M12/M16 |
| 5 | 115 | (6½") 165.1 | M12/M16 |
| 6 | 161 | 205 | M14 |



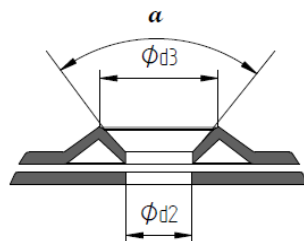
- A = Bore (mm)
- B = Pitch circle diameter (PCD) (mm)
- ET = Offset (mm)
- E = Bolt hole diameter (mm)
- F = Rim diameter (inches)
- G = Rim width (inches)

The correct nut or bolt must be used to suit the wheel seating i.e. conical or spherical.

Spherical Countersink



Conical Countersink

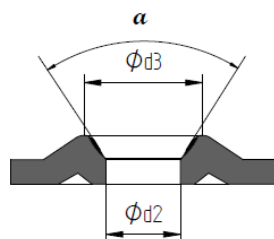
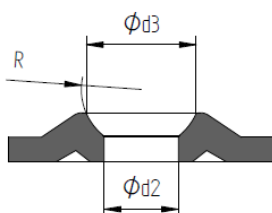
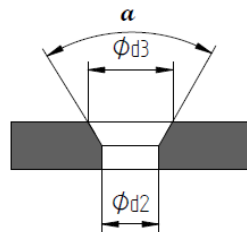
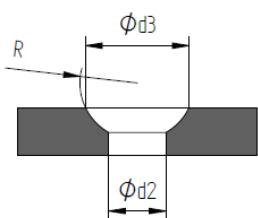


Spherical Countersink Sizes

| Internal Thread | R | Ød2 | Ød3 |
|-----------------|------|------|-----|
| 3/8" | 12.7 | 10.5 | 20 |
| M12 x M1,5 | 12 | 16 | 20 |
| M14 x 1,5 | 14 | 16 | 23 |

Conical Countersink Sizes

| Internal Thread | a | Ød2 | Ød3 |
|-----------------|-----|------|-----|
| M10 | 60° | 11 | - |
| M10 | 90° | 11 | - |
| M12 x 1,5 | 60° | 14 | - |
| M12 x 1,5 | 90° | 16 | - |
| M14 x 1,5 | 60° | 16.8 | - |





Tyre Speed Symbols

| Speed Symbol | Max. car speed for which tyre is suitable | |
|--------------|---|-----|
| | Km/h | mph |
| J | 100 | 60 |
| K | 110 | 69 |
| L | 120 | 75 |
| M | 130 | 81 |
| N | 140 | 87 |
| P | 150 | 93 |

| Speed Symbol | Max. car speed for which tyre is suitable | |
|--------------|---|-----|
| | Km/h | mph |
| R | 170 | 106 |
| S | 180 | 113 |
| T | 190 | 118 |
| U | 200 | 124 |
| H | 210 | 130 |
| V | 240 | 150 |



Tyre Load Index

| LI | Kg | LI | Kg | LI | Kg | LI | Kg | LI | Kg | LI | Kg |
|----|-----|----|-----|----|-----|-----|-----|-----|------|-----|------|
| 60 | 250 | 71 | 345 | 82 | 475 | 93 | 650 | 104 | 900 | 115 | 1215 |
| 61 | 257 | 72 | 355 | 83 | 487 | 94 | 670 | 105 | 925 | 116 | 1250 |
| 62 | 265 | 73 | 365 | 84 | 500 | 95 | 690 | 106 | 950 | 117 | 1285 |
| 63 | 272 | 74 | 375 | 85 | 515 | 96 | 710 | 107 | 975 | 118 | 1320 |
| 64 | 280 | 75 | 387 | 86 | 530 | 97 | 730 | 108 | 1000 | 119 | 1360 |
| 65 | 290 | 76 | 400 | 87 | 545 | 98 | 750 | 109 | 1030 | 120 | 1400 |
| 66 | 300 | 77 | 412 | 88 | 560 | 99 | 775 | 110 | 1060 | 121 | 1450 |
| 67 | 307 | 78 | 425 | 89 | 580 | 100 | 800 | 111 | 1090 | 122 | 1500 |
| 68 | 315 | 79 | 437 | 90 | 600 | 101 | 825 | 112 | 1120 | 123 | 1550 |
| 69 | 325 | 80 | 450 | 91 | 615 | 102 | 850 | 113 | 1150 | 124 | 1600 |
| 70 | 335 | 81 | 462 | 92 | 630 | 103 | 875 | 114 | 1180 | 125 | 1650 |

LI = Load Index

Kg = Load (Kg)



The LOAD INDEX is a numerical code associated with the maximum load a tyre can carry at the speed indicated by the SPEED SYMBOL under service conditions, specified by the E.T.R.T.O Standards Manual – published annually.

A bonus load of 10% over the load capacity quoted in the table is permitted when passenger car tyres are fitted to caravans and light trailers operated within the UK with a maximum operating speed up to 100Km/h.

Commercial vehicle tyres attracted a smaller bonus load of 5% under the same conditions.

Dedicated trailer tyres classed as “Free Rolling Tyres” do not attract a bonus load.

The bonus load does not apply in territories where the speed limit for trailers is higher than in the UK, hence for export trailers or ones likely to be used in continental Europe bonus load should not be used.

As higher rated tyres become more readily available the use of bonus load is reducing and in all cases we recommend seeking advice from the tyre manufacturer if bonus loads are to be used, including suitable inflation pressure.

It is important to ensure that the wheel is suitable for the trailer mass and suits the tyre manufacturers fitment requirements.

New tyre regulations EC1222/2009 came into force on 1 November 2012 covering rolling resistance, wet grip, and noise which must be declared on a label conforming to a laid down format. The regulation does not apply to all tyres but covers most highway tyres for passenger cars, commercial vehicles, 4x4's etc whose nominal rim diameter exceeds 254mm or is less than 635mm. The intention of the regulation is to enable buyers to make a more informed choice when specifying tyres, however it is important to note that it does not cover tyre life (wear rate), handling or dry braking performance.

We also supply wheels & tyres - contact us for further details



Hub Nut

| Manufacturer | One Piece Bearing | Taper Roller Bearing |
|------------------------|--------------------|---|
| Knott-Avonride Ltd | 280 Nm (207 lb/ft) | 70 Nm (Rotate Hub) then back off. Retighten finger tight then fit split pin. |
| Ifor Williams Trailers | 350 Nm (258 lb/ft) | |
| Al-Ko | 280 Nm (207 lb/ft) | |

NOTE: Manufacturers specific recommendations for torque settings and for replacement of hub nut and split pin.

Wheel Bolts / Nuts

| Thread Type | Torque Value |
|-----------------|--------------------|
| M10 x 1.25 Bolt | 55 Nm (41 lb/ft) |
| M12 x 1.5 Bolt* | 90 Nm (66 lb/ft) |
| M14 x 1.75 Bolt | 145 Nm (107 lb/ft) |
| 3/8" UNF Nut | 60 Nm (44 lb/ft) |
| 7/16" UNF Nut | 70 Nm (52 lb/ft) |
| M12 x 1.5 Nut | 100 Nm (74 lb/ft) |
| 1/2" UNF Nut | 90 Nm (66 lb/ft) |
| 5/8" UNF Nut | 110 Nm (81 lb/ft) |
| M16 x 1.5 Nut | 195 Nm (144 lb/ft) |

* Steel wheels (grade 8.8 or 10.9). For alloy wheels please contact our Technical department.

Fasteners - General

| Bolt | Torque Value |
|----------------|--------------------|
| M10 Grade 8.8 | 45 Nm (33 lb/ft) |
| M12 Grade 8.8 | 70 Nm (52 lb/ft) |
| M12 Grade 10.9 | 125 Nm (92 lb/ft) |
| M14 Grade 10.9 | 170 Nm (125 lb/ft) |
| M16 Grade 8.8 | 195 Nm (144 lb/ft) |

Head Securing Bolts

| Bolt | Torque Value |
|----------------|-------------------|
| M12 Grade 10.9 | 100 Nm (74 lb/ft) |
| M14 Grade 10.9 | 125 Nm (92 lb/ft) |

Lubrication

| | Oil | Grease |
|---|-----|--------------------------------------|
| Coupling head cup | - | Yes (Morris K2EP Longlife Grease) |
| Coupling pivots | Yes | - |
| Coupling drawtube | - | Yes (Morris K2EP Longlife Grease) |
| Handbrake | Yes | - |
| Jockey wheel thread | - | Yes (Morris K2EP Longlife Grease) |
| Exposed cables, rod ends, threads, pivots | - | Yes (Shell Albeida RL1) |
| Compensator | Yes | Yes (Shell Albeida RL1) |



**We also supply hardware, fixings, adapters etc
Contact us for further details**



BREAKAWAY CABLES & SECONDARY COUPLINGS (EXTRACT FROM UNECE REGULATION 13)

- 5.2.2.1 Trailers of category O₁ need not be equipped with a service braking system; however, if a trailer of this category is equipped with a service braking system, it shall satisfy the same requirements as a trailer of category O₂.
- 5.2.2.2 Trailers of category O₂ shall be equipped with a service braking system either of the continuous or semi-continuous or of the inertia (overrun) type. The latter type shall be permitted only for centre axle trailers.
- 5.2.2.9 The braking systems shall be such that the trailer is stopped automatically if the coupling separates while the trailer is in motion. However, this provision shall not apply to trailers with a maximum mass not exceeding 1.5 tonnes, on the condition that the trailers are equipped with, in addition to the coupling device, a secondary coupling (chain, wire rope, etc) capable, in the event of separation of the main coupling, of preventing the drawbar from touching the ground and providing some residual steering action on the trailer.

These paragraphs are closely mirrored in EC Directive 98/12/EC paragraphs 2.2.2, 2.2.2.1 and 2.2.2.9 with the exception that paragraph 2.2.2.1 authorises the specified braking system for all trailers other than semi-trailers.

Knott-Avonride Ltd unbraked couplings for use on trailers up to 750kg gross weight (O₁) must be fitted with a compliant secondary coupling.

Use only  original replacement parts

Trailer Weights

| Classification | Gross (kg) | Braking |
|----------------|--------------|--|
| O ₁ | 0 – 750 | Unbraked with secondary coupling (or optionally braked with secondary coupling or breakaway cable) |
| O ₂ | 750 – 3500 | Overrun couplings with breakaway cable (or secondary coupling to maximum mass of 1500kg) |
| O ₃ | 3500 – 10000 | Power brakes, self adjusting brake mechanism and ABS |
| O ₄ | Over 10000 | Power brakes, self adjusting brake mechanism and ABS |

NOTE: The maximum Mass considered for classifying a trailer corresponds to the static vertical load transmitted to the ground by the axle(s) (Annex II, paragraph 3, 2007/46/EC).

Trailer Dimensions

| | Tow Vehicle | Length | Width | Height |
|---|--|---|-------------------------------|------------------------|
| The Road Vehicles (Construction & Use) Regulations 1986 | < 3500 GVW | 7.0m excl. drawbar | 2.55m (was 2.3m) | Practical maximum 4.2m |
| | > 3500 GVW | 12.0m excl. drawbar (Min 4 wheels, max combination length 18m) | 2.55m | |
| EC Directive 2007/46/EEC Dimensions from 96/53/EC as amended by 2002/7/EC | | 12.0m incl. drawbar | 2.55m (2.60m refrigerated) | 4.0m |
| | M ₁ , M ₂ , M ₃ , N ₁ , N ₂ , N ₃ | Max articulated vehicle length 16.5m | | |
| | | Max roadtrain (wagon & drag) 18.75m | | |

The information here is intended as a guide. It is as accurate as we can make it at the time of printing; however, Knott-Avonride Ltd does not accept any responsibility for any inaccuracies which may be in the text. Any person wishing to depend on the information contained here must check for themselves with the original documentation including any revision or additions to regulations, instruments or the law.



Timetable for the Enforcement of Directive 2007/46/EC

| O ₁ , O ₂ , O ₃ , O ₄ | Enforcement Dates | | |
|---|--------------------------------|----------------------------------|---------------------------------------|
| | New Types of Vehicles Optional | New Types of Vehicles Obligatory | Existing Types of Vehicles Obligatory |
| Incomplete and complete vehicles | Since 29 April 2009 | 29 October 2010 | 29 October 2012 |
| Completed vehicles | Since 29 April 2009 | 29 October 2011 | 29 October 2013 |
| Special-purpose vehicles | Since 29 April 2009 | 29 October 2012 | 29 October 2014 |

KNOTT-AVONRIDE LIMITED

European Community
Whole Vehicle Type Approval (ECWVTA) - 2007/46/EC

www.knottuk.com

R48
Installation of Lighting
76/756/EEC
(Filament Lamps R37)

1003/2010
Rear Reg. Plate Space
70/222/EEC

1230/2012
Masses and Dimensions
97/27/EC

19/2011
Statutory Plates
76/114/EEC

R34 & R58
Fuel Tanks R.U.P.D
70/221/EEC

R73
Side Guards (03, 04 only)
89/297/EEC

109/2011
Spray Control
91/226/EEC

R13
Braking (where fitted)
71/320/EEC

R30 & R54
Tyres
92/23/EEC
(Installation 458/2011)
(Sound/Adhesion R117)

R55
Couplings
94/20/EC

R79
Steering Effort
70/311/EEC

R3
Reflectors and Markers
76/757/EEC

R7 & R91
Position and Outline Lamps
76/758/EEC

R6
Direction Indicators
76/759/EEC

R4
Rear Reg. Plate Lamps
76/760/EEC

R38
Rear Fog Lamps
77/538/EEC

R23
Reversing Lamps
77/539/EEC

R43
Safety Glass
92/22/EEC

R105
Dangerous Goods
98/91/EC

R122
Heating
2004/56/EC

Head/Eyes

Coupling Assembly

Drawbar (bolt-on)

Coupling

Foundation Brake

Compatibility



GENERAL SAFETY REGULATION EC 661/2009

The General Safety Regulation (GSR) amends Directive 2007/46/EC by substituting the equivalent UNECE Regulations in place of the EC Directives. It makes compliance with the UNECE regulations for type approval submissions compulsory from 1 November 2012 and compulsory for vehicles entering into service from 1 November 2014.

All of the old EC Directives will be repealed and will be replaced by the UNECE regulations. UNECE Regulations are also recognised in a wider range of countries than the European Directives.

We are already amending approvals to give dual compliance to both sets of regulations—well in advance of any mandatory dates.



Contacts

| | |
|--|--|
| British Standards Institution | www.bsigroup.com |
| Business Link (select transport) | www.businesslink.gov.uk |
| Department for Transport | www.dft.gov.uk |
| Department of the Environment Northern Ireland | www.doeni.gov.uk |
| Driver & Vehicle Agency Northern Ireland | www.dvani.gov.uk |
| Driver & Vehicle Licensing Agency | www.dvla.gov.uk |
| European Tyre & Rim Technical Organisation | www.etrto.org |
| Freight Transport Association | www.fta.co.uk |
| Highways Agency | www.highways.gov.uk |
| Knott-Avonride Ltd, Burton Upon Trent, Staffordshire | www.knottuk.com |
| Knott-Avonride Ltd, Maesteg, South Wales | www.knottuk.com |
| Motor Industry Research Association | www.mira.co.uk |
| National Trailer & Towing Association | www.ntta.co.uk |
| Public Services (including transport) | www.direct.gov.uk |
| Road Haulage Association | www.rha.uk.net |
| The European Union on-line | www.europa.eu |
| The Institute of Road Transport Engineers | www.soe.org.uk |
| The Society of Motor Manufacturers and Traders Ltd | www.smmt.co.uk |
| Transport Engineer (magazine) | www.transportengineer.org.uk |
| Transport Research Laboratory | www.trl.co.uk |
| United Nations Economic Commission for Europe | www.unece.org |
| Vehicle & Operator Services Agency | www.vosa.gov.uk |
| Vehicle Certification Agency | www.vca.gov.uk |

Knott-Avonride Ltd Publications

| | |
|-------|---|
| KF082 | Trailer, Service, Maintenance & Repair Handbook |
| KF085 | Spreadlever Brakes |
| KF087 | Oil Damped Energy Store |
| KF088 | Maintenance & Servicing Info for Coupling Heads, Towing Eyes, Dampers, Spreadlever Brakes, Prop stand, Jockey Bracket, Bowden Cable & Breakaway Cable |
| KF089 | Maintenance & Servicing Information for Spreadlever Brakes, Drawtube, Head Lock, Jockey Clamp, Hubs & Bearings |



Please also visit our website for publications and further information



Burton Branch

Europa House
Second Ave., Centrum 100
Burton Upon Trent
Staffordshire
DE14 2WF

+44 (0) 1283 531541

+44 (0) 1283 534840

sales@knottuk.com



Maesteg Branch

Spelter Site
Caerau
Maesteg
Mid Glamorgan
CF34 0AQ

+44 (0) 1656 739111

+44 (0) 1656 737677

maestegsales@knottuk.com



www.knottuk.com



www.knott-trailer.co.uk

